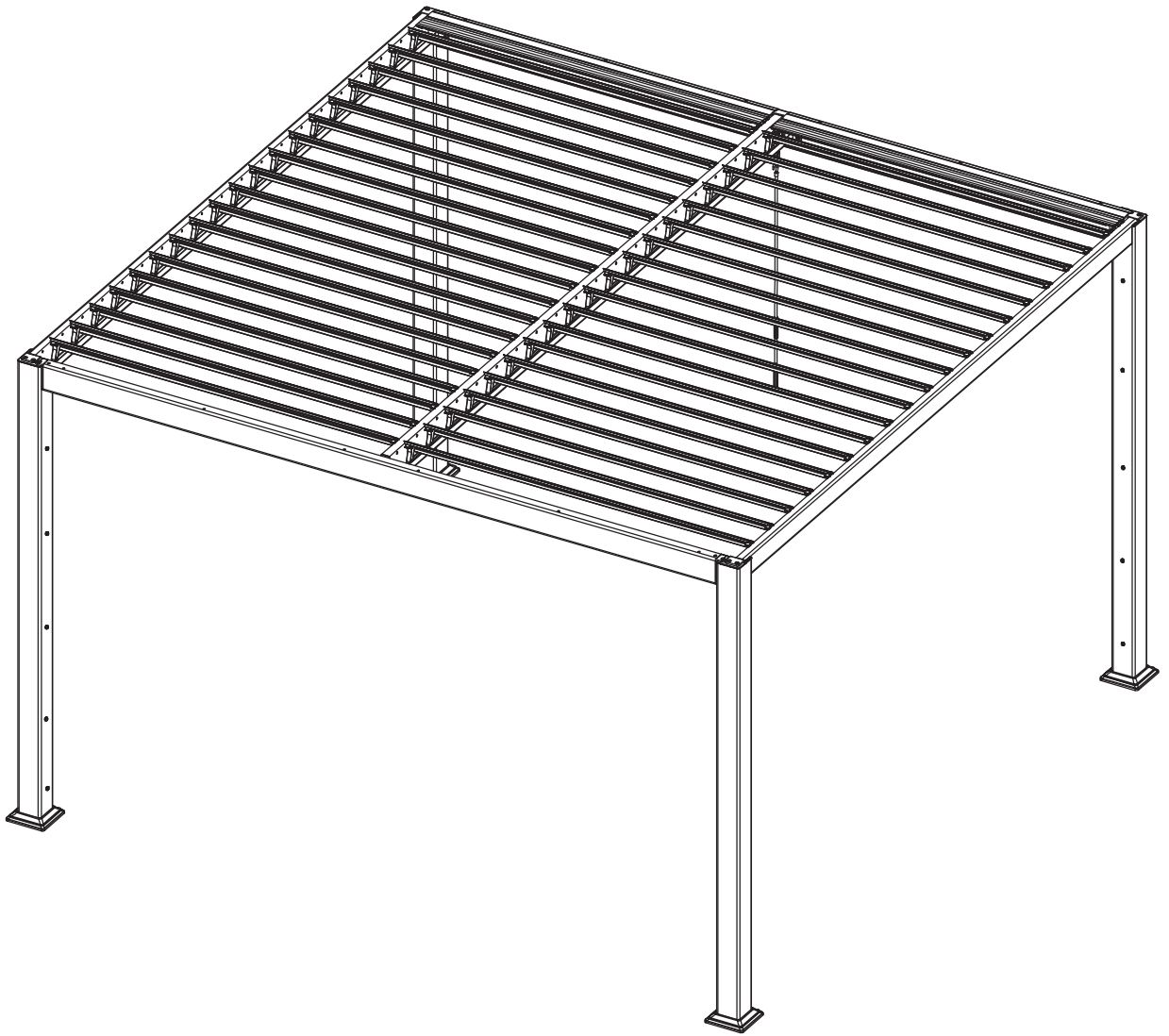




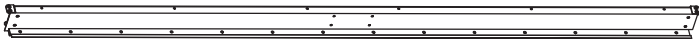







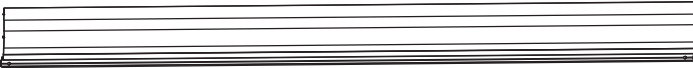



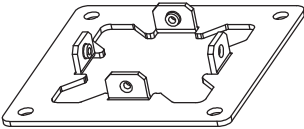
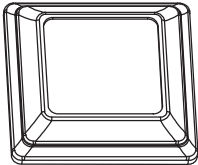
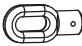

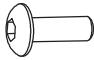
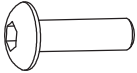
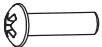
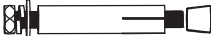






**SUN'S**  
L I F E S T Y L E

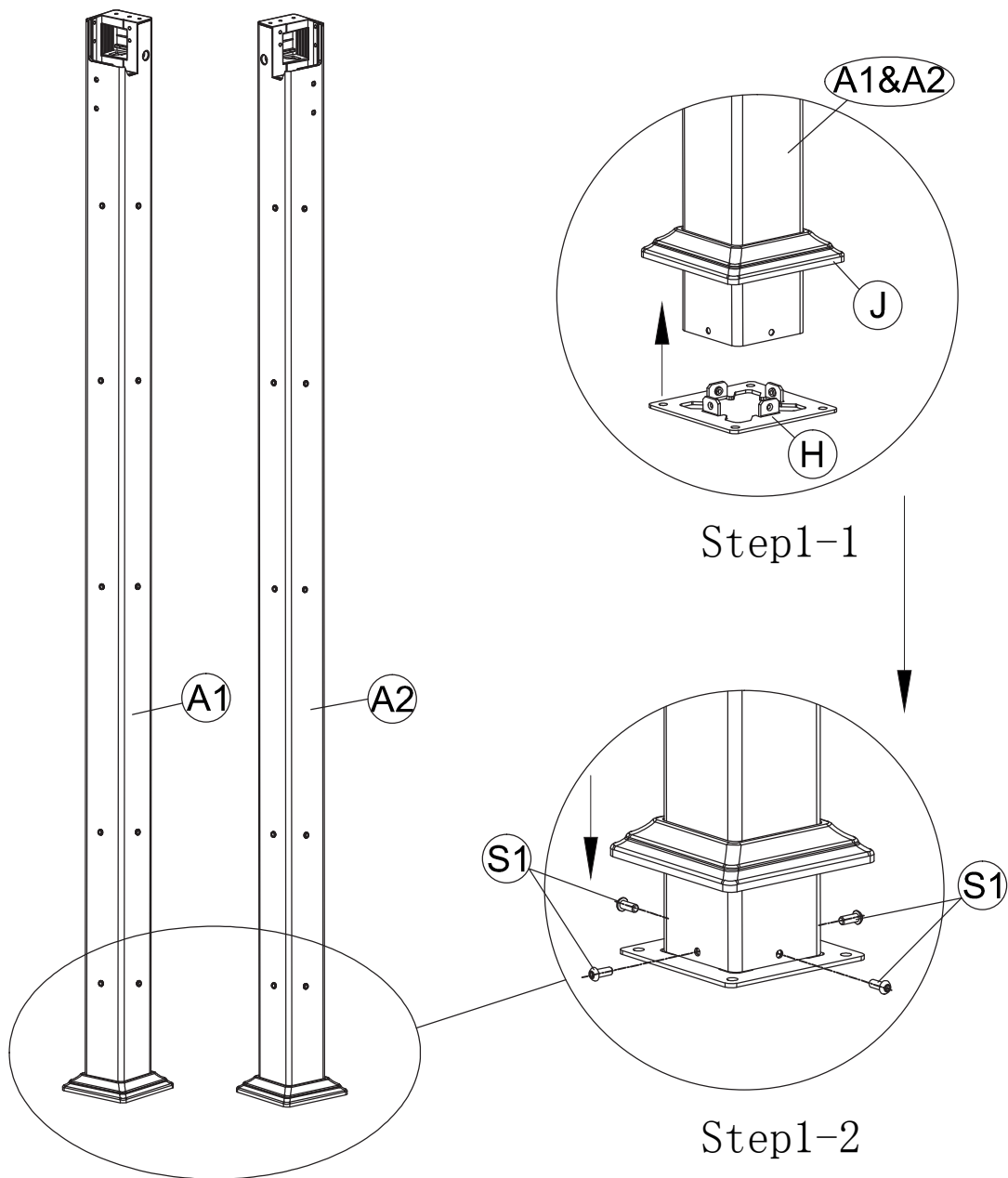
**3.6\*3.5\*2.3M**



REF	PCE	PIECE		QTY	DIM
	A1			2	
	A2			2	
	B			2	
	C1			1	
	C2			1	
	D			1	
	F			76	
	G			2	
	H			4	
	J			4	
	L			2	

REF	PCE	PIECE	QTY	DIM
	R		1	
	S1	 M6*15	22+2	
	S2	 M8*20	36+2	
	S3	 M4*18	2	
	S4		8+1	
	T1		2	
	T2		1	
	T3		1	
		 Silicone neutral glass glue, purchased by customers		

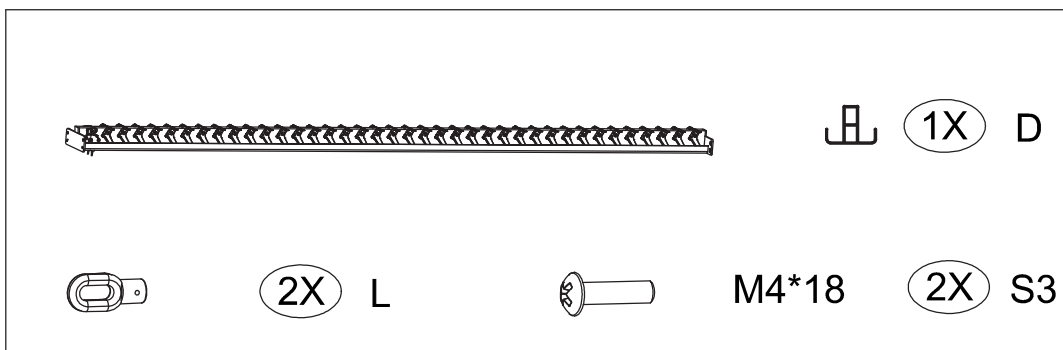
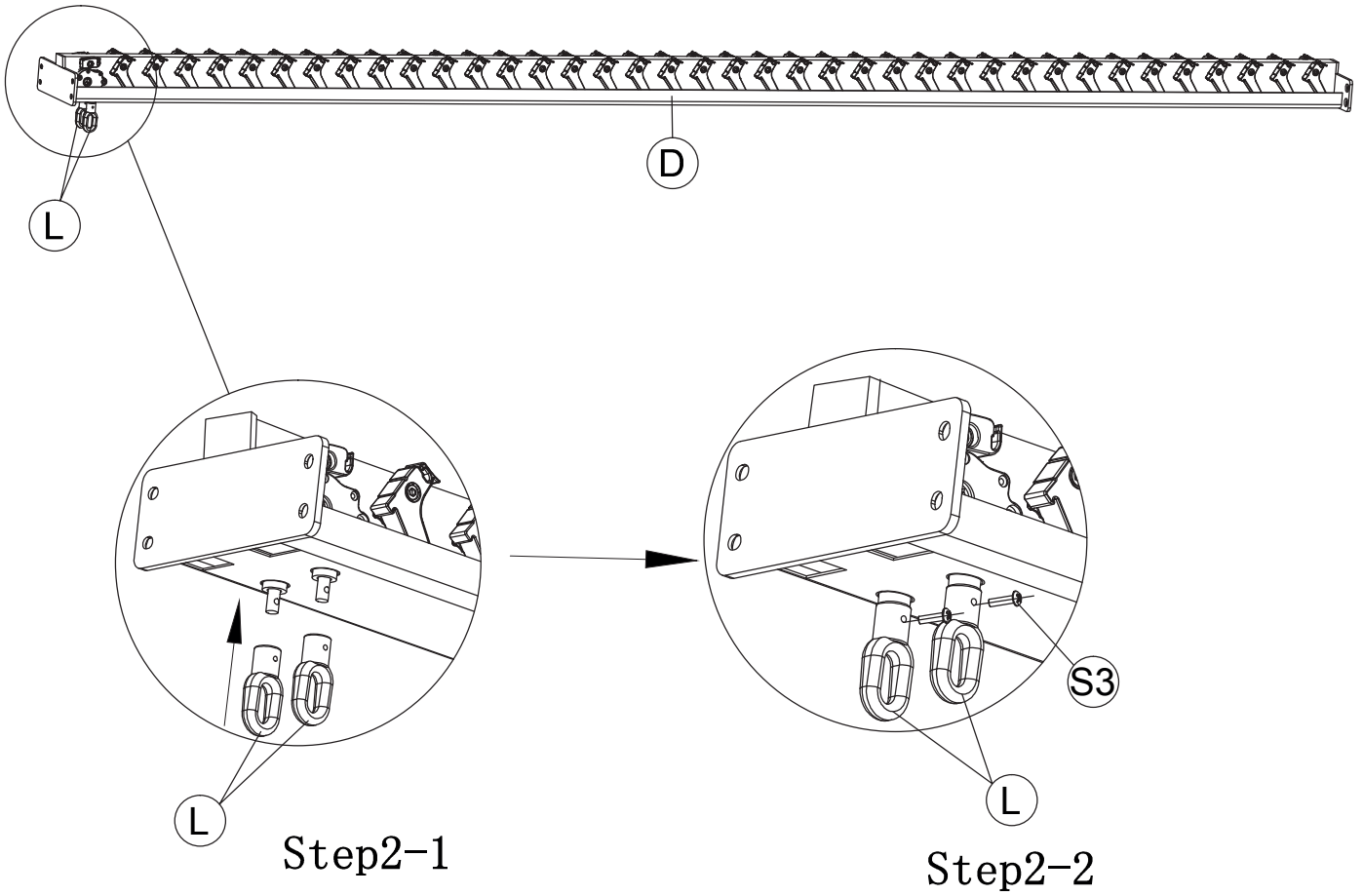
**STEP 01**



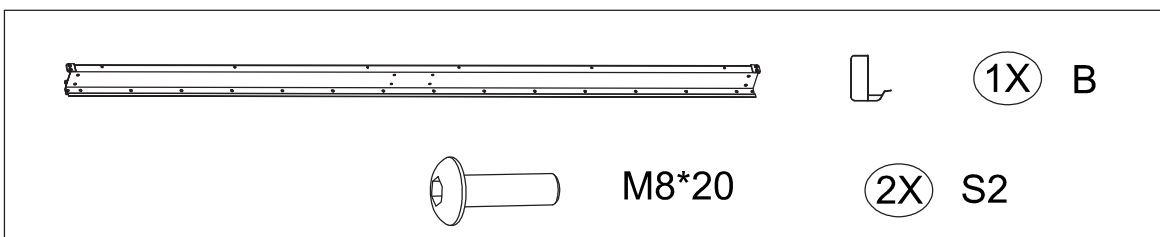
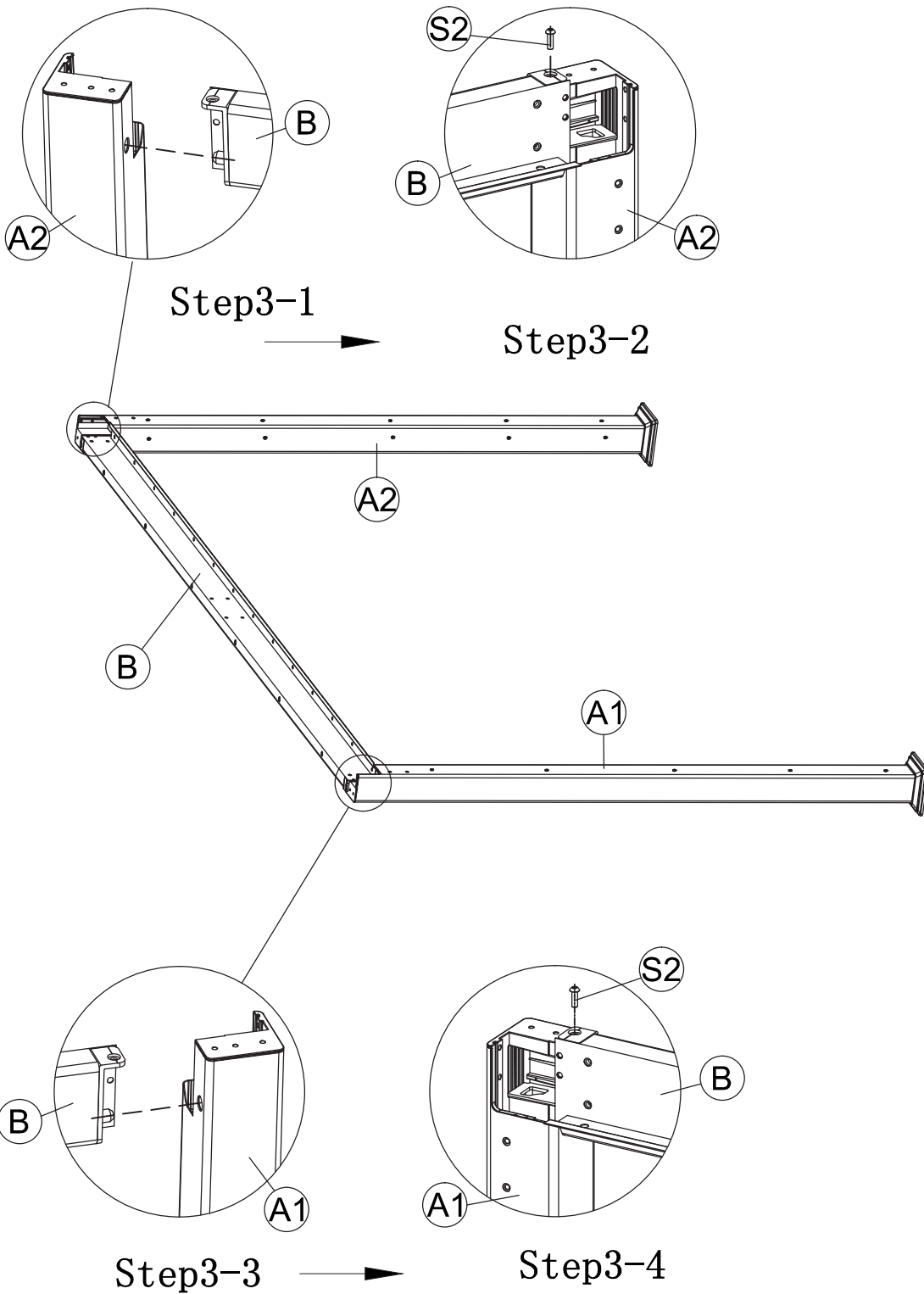
- |  |                                  |          |        |
|--|----------------------------------|----------|--------|
|  | <input type="checkbox"/> (2X) A1 |          | (4X) H |
|  | <input type="checkbox"/> (2X) A2 |          | (4X) J |
|  | M6*15                            | (16X) S1 |        |



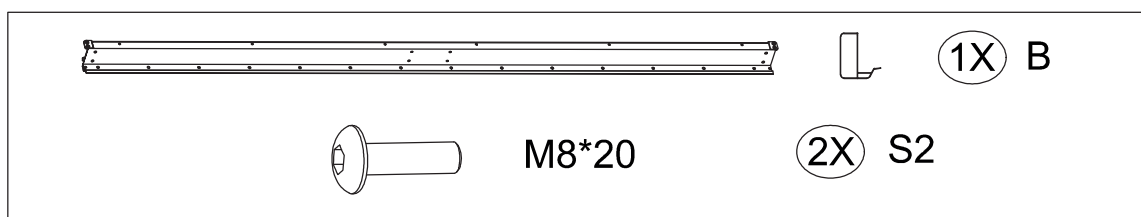
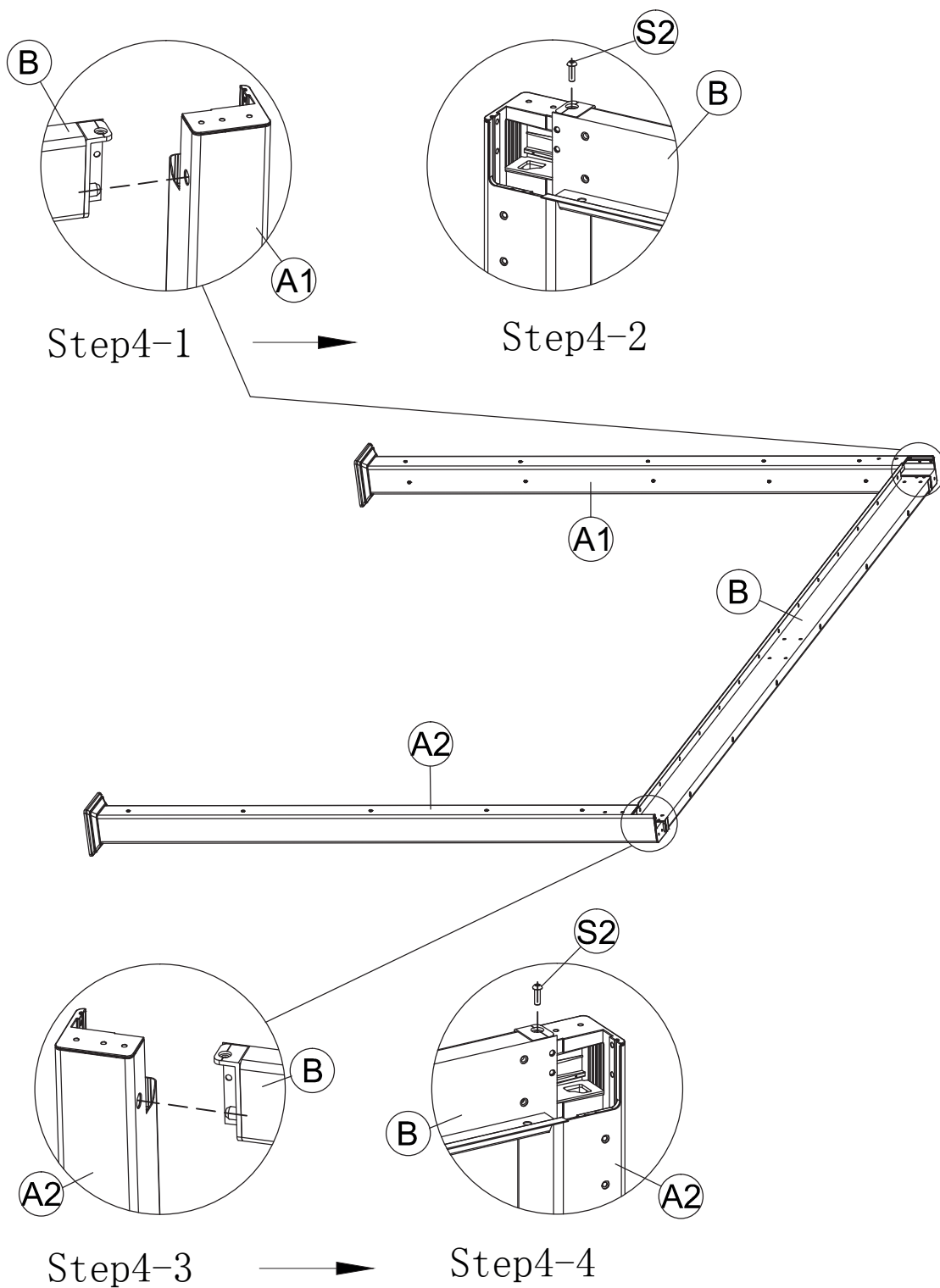
STEP 02



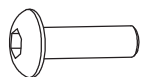
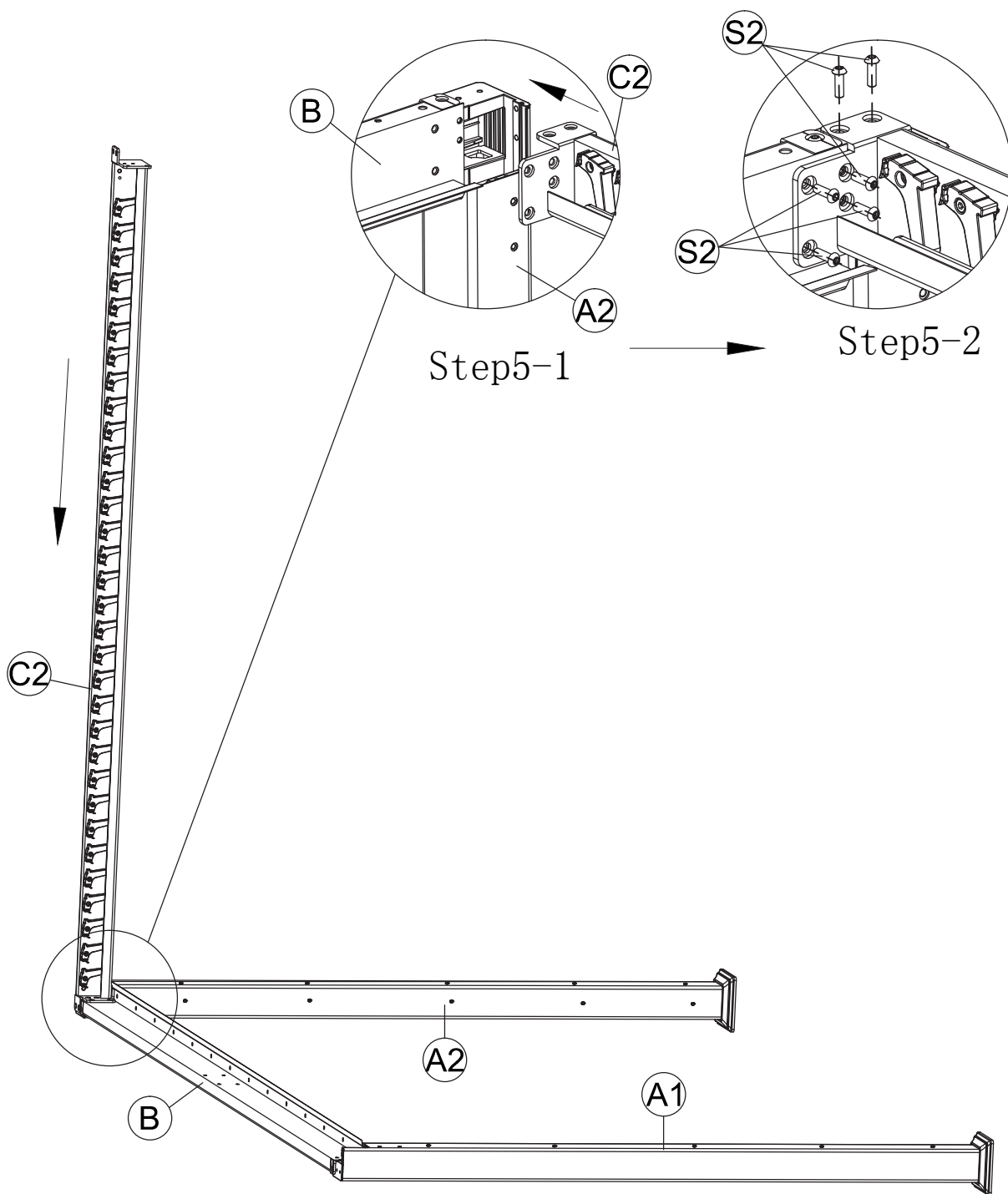
STEP 03



**STEP 04**



**STEP 05**



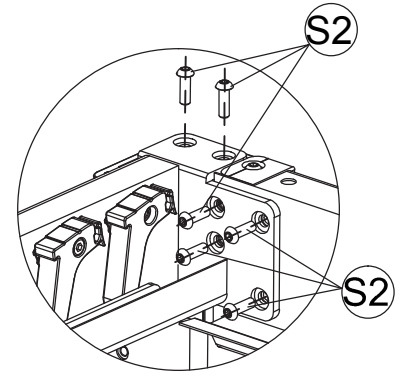
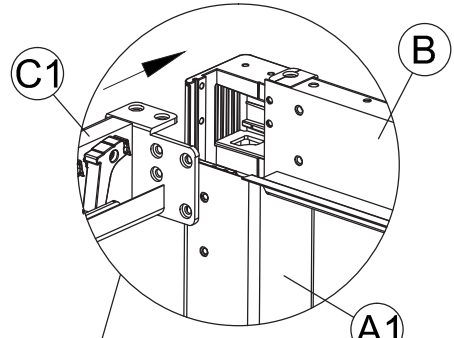
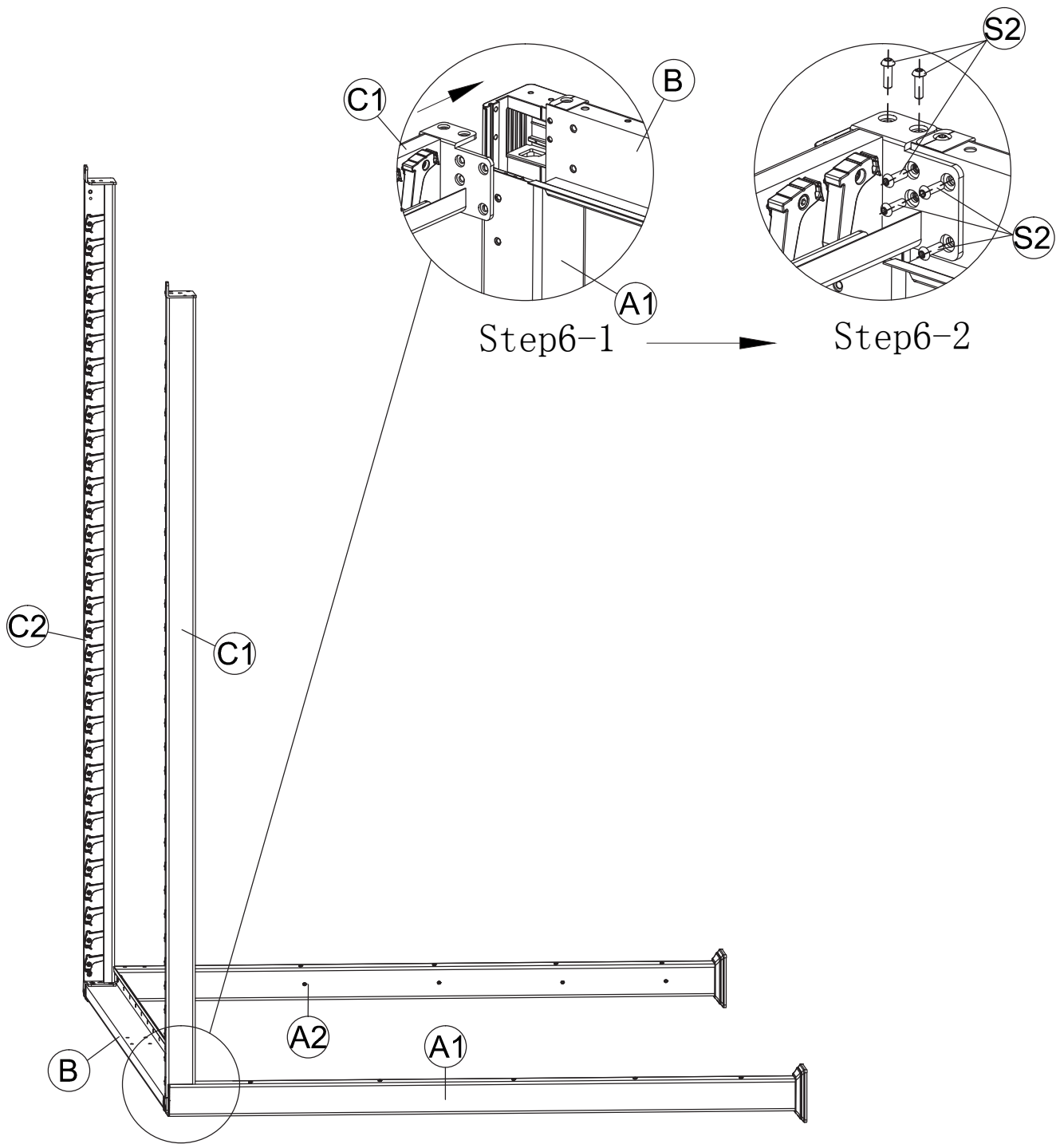
M8\*20

6X

S2

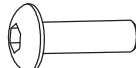


STEP 06

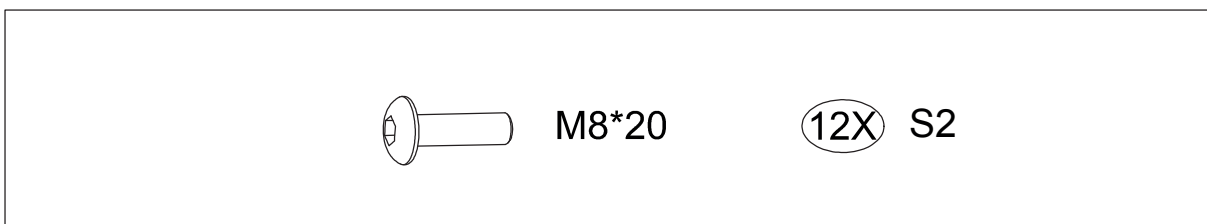
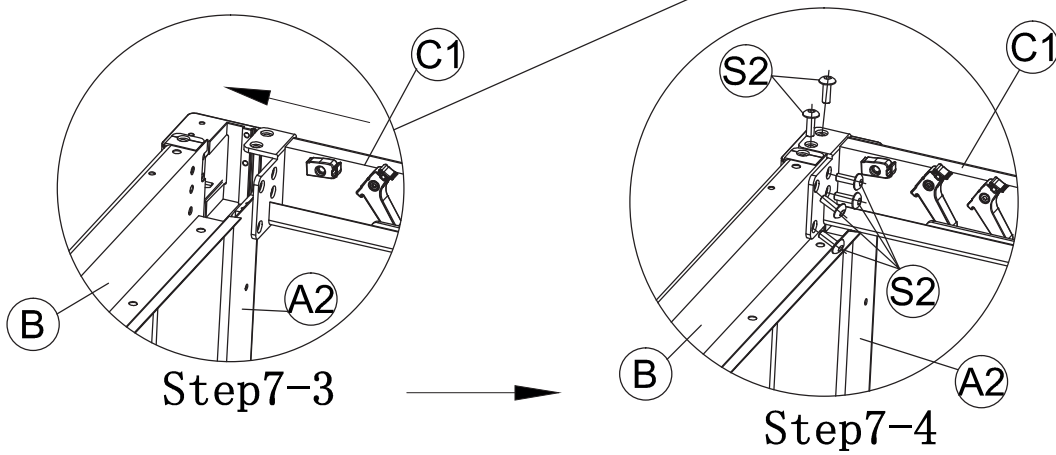
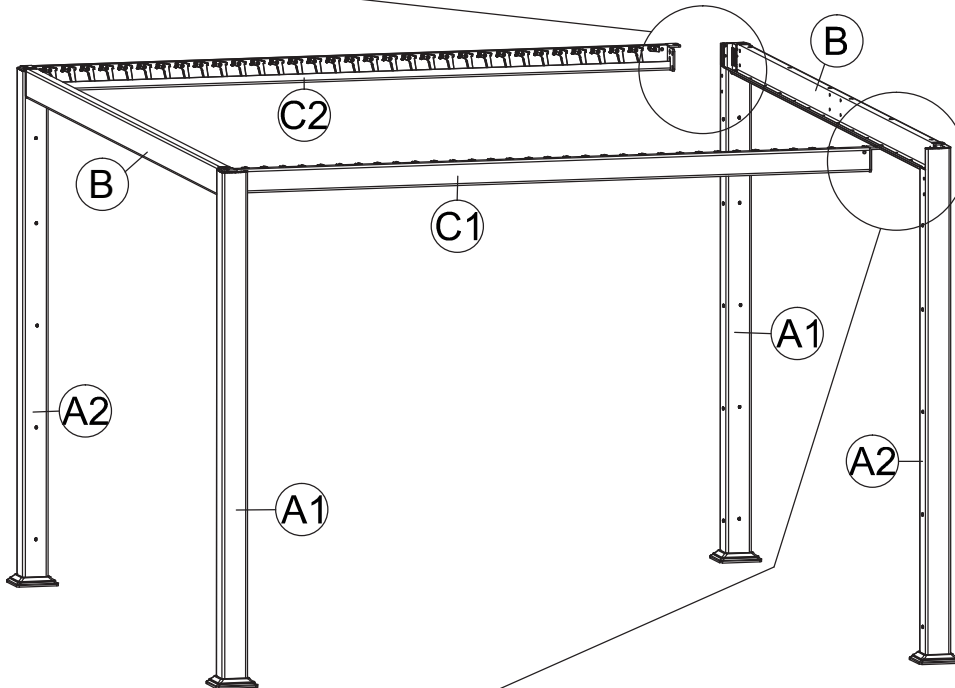
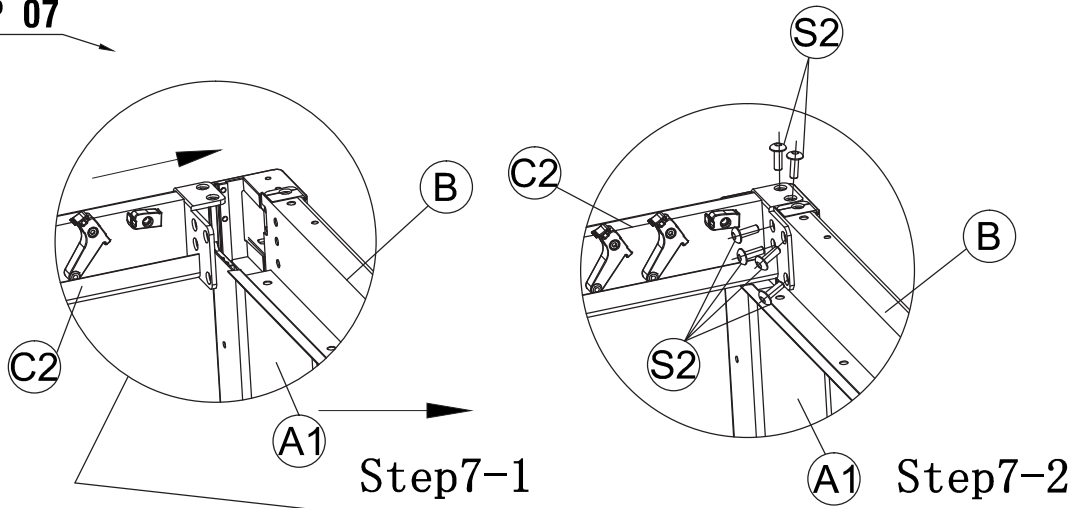


Step6-1

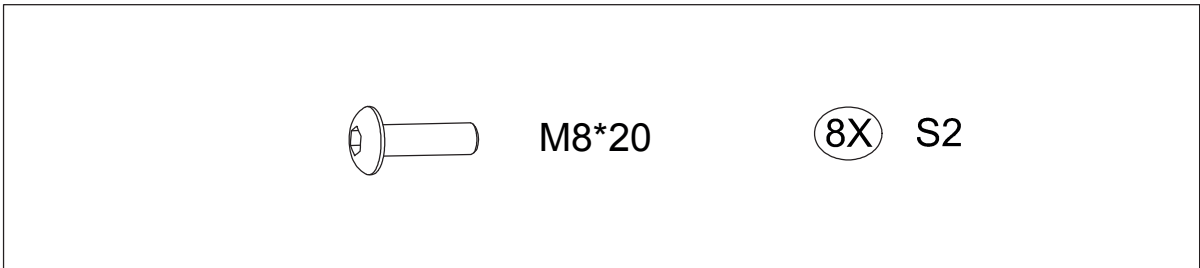
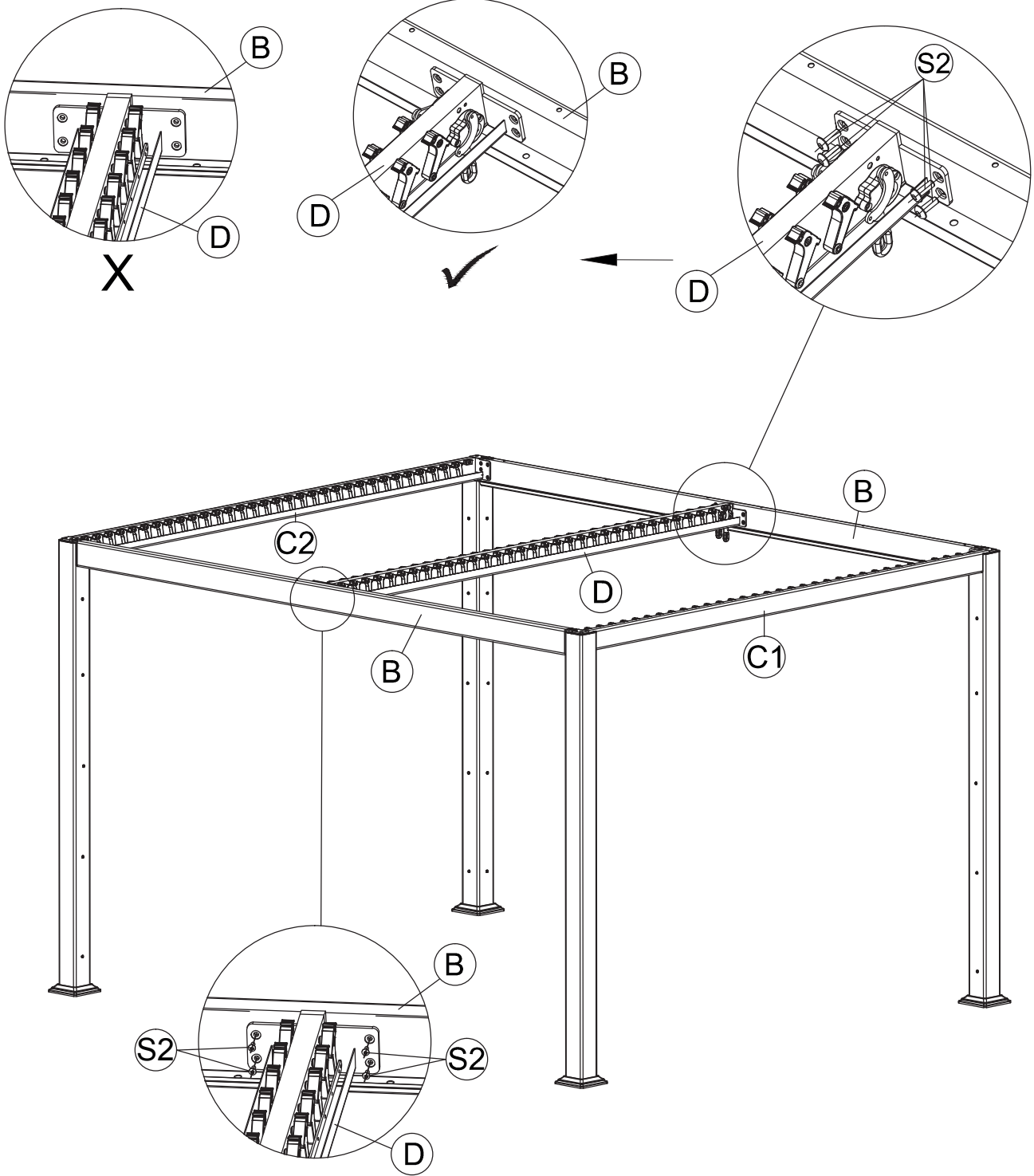
Step6-2

	M8*20	6X	S2
---	-------	----	----

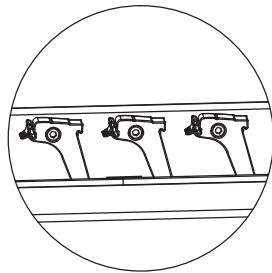
**STEP 07**



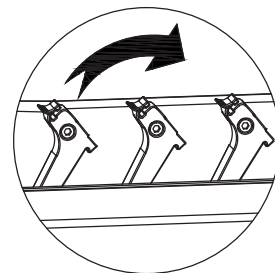
STEP 08



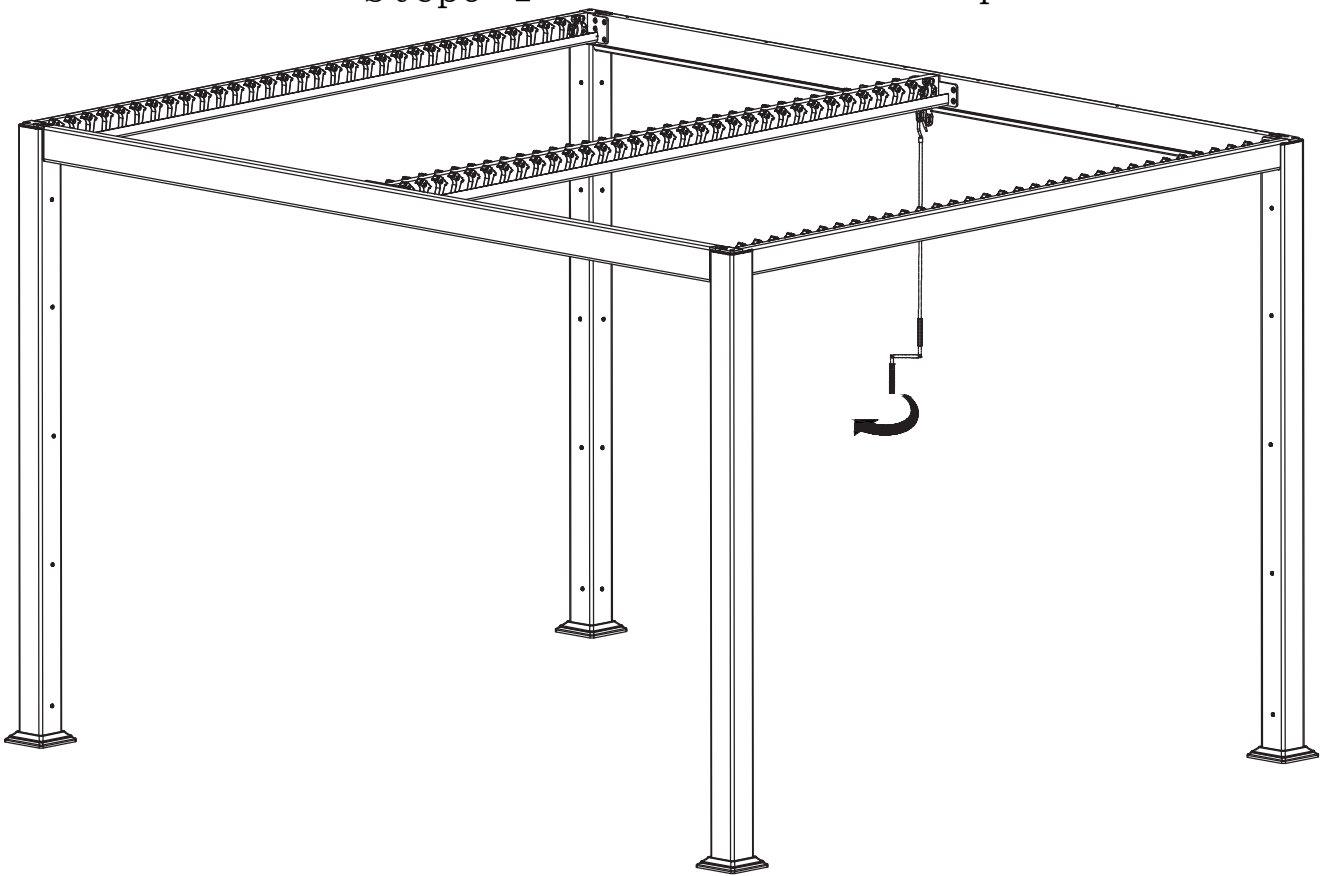
STEP 09



Step9-1



Step9-2

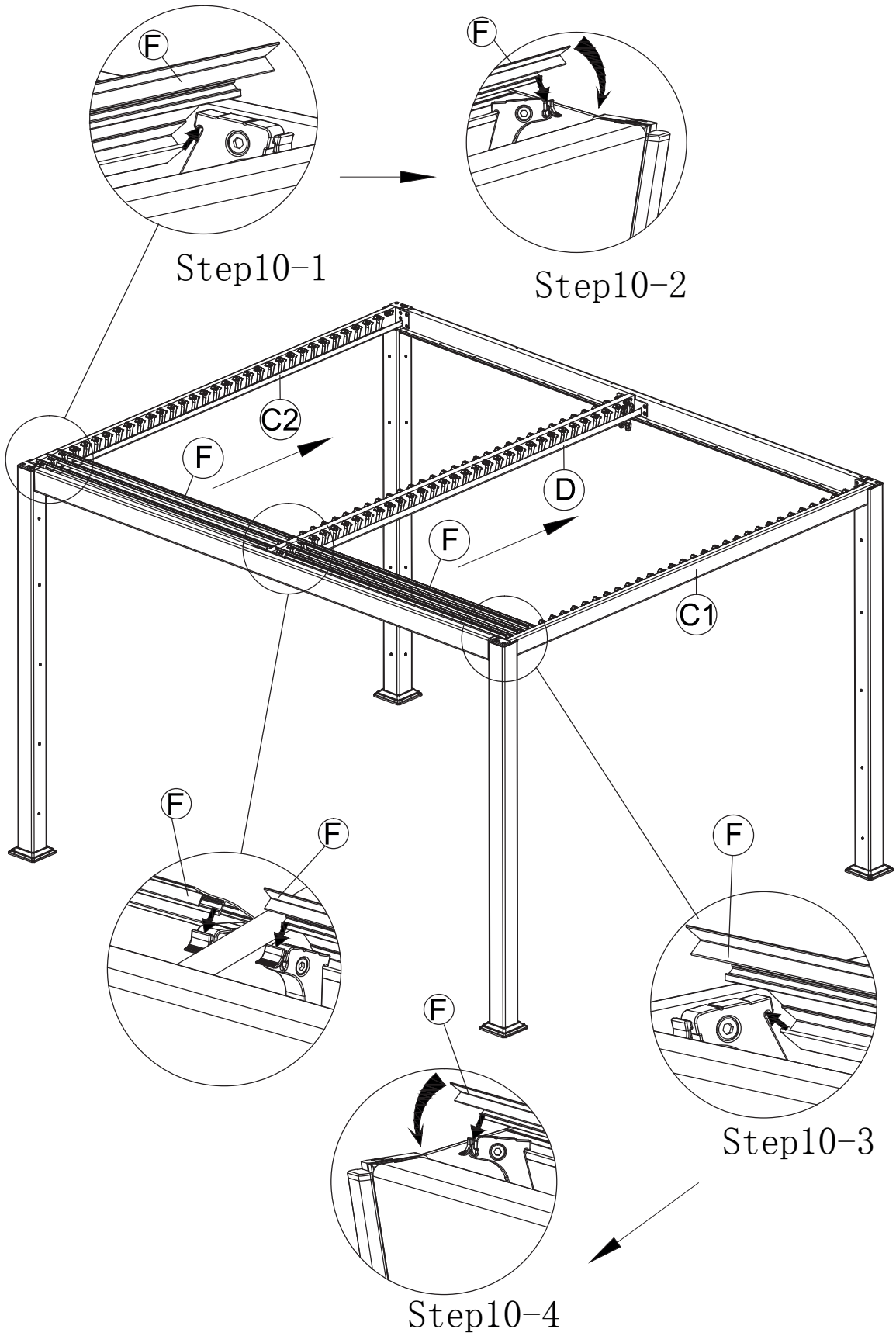


Turn the position from picture 1 to picture 2 first, then assemble the shutter.

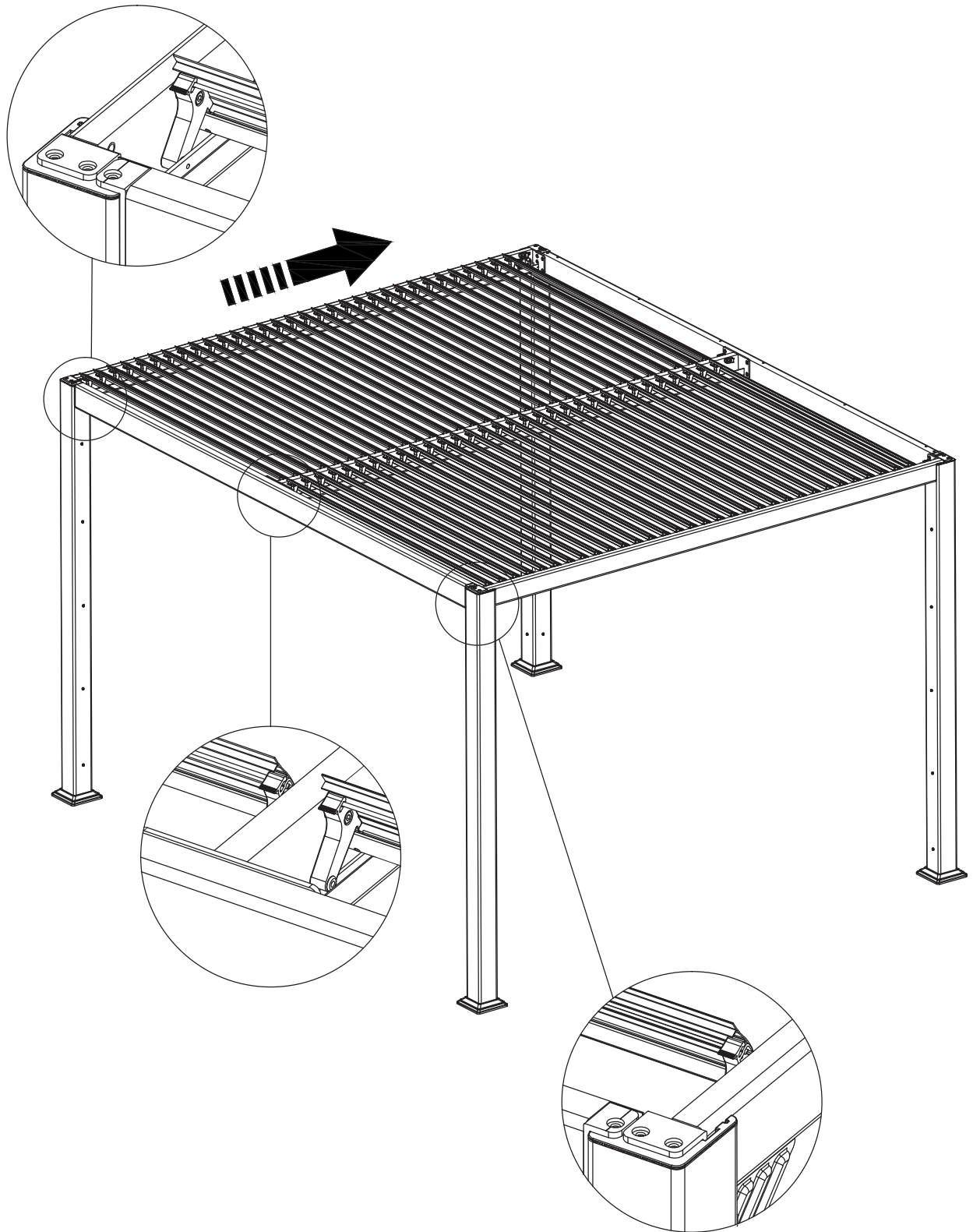


1X R

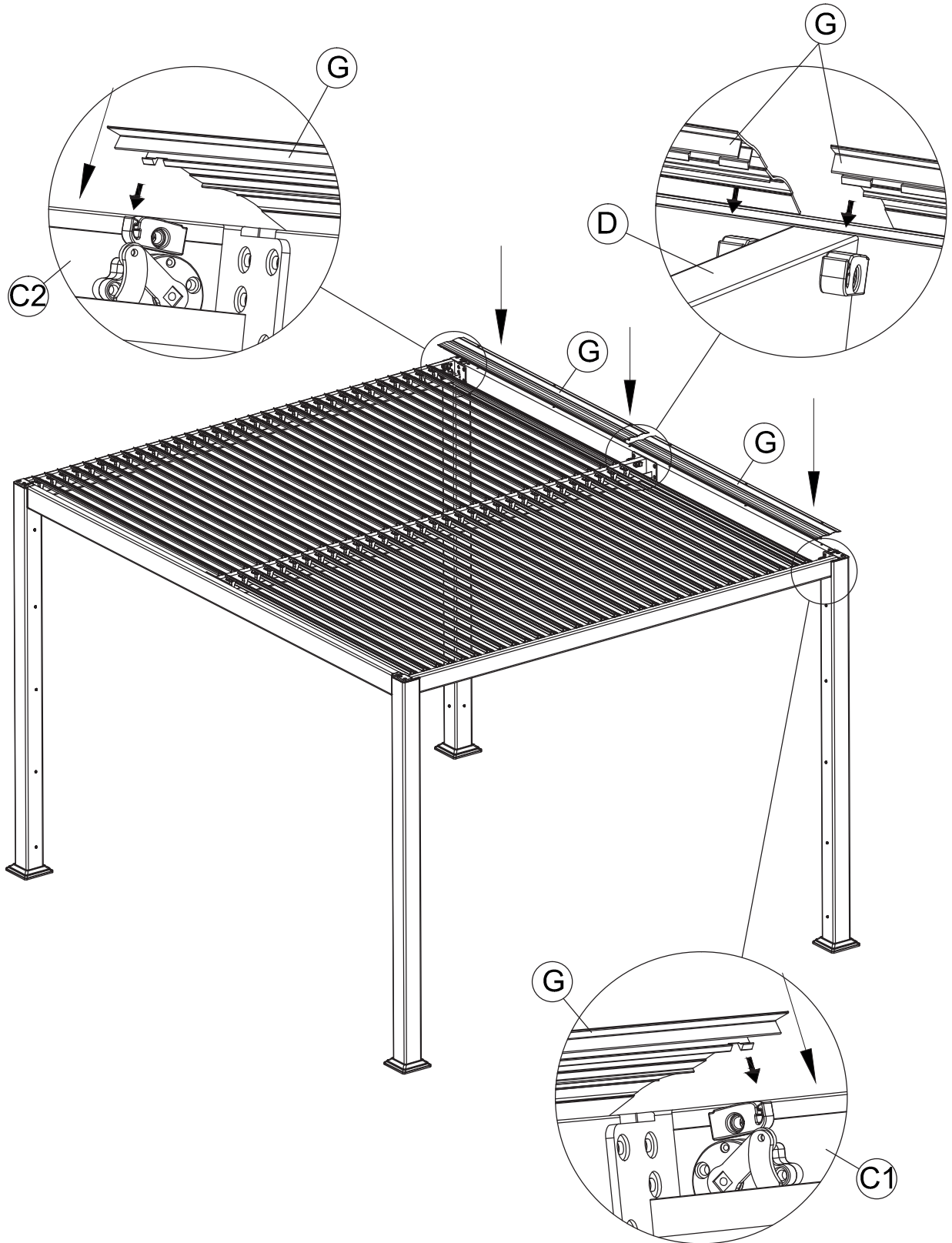
STEP 10



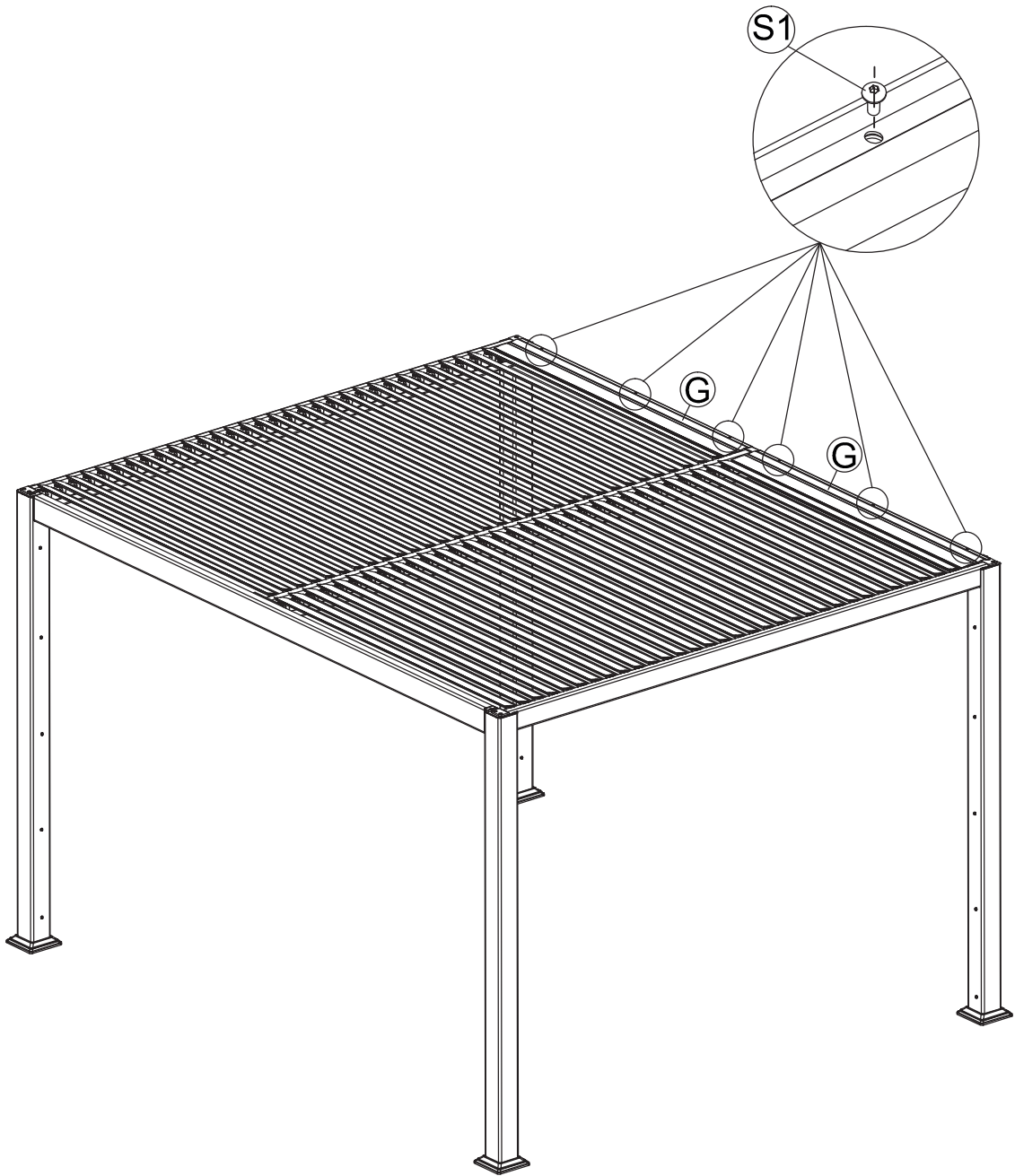
**STEP 11**



STEP 12



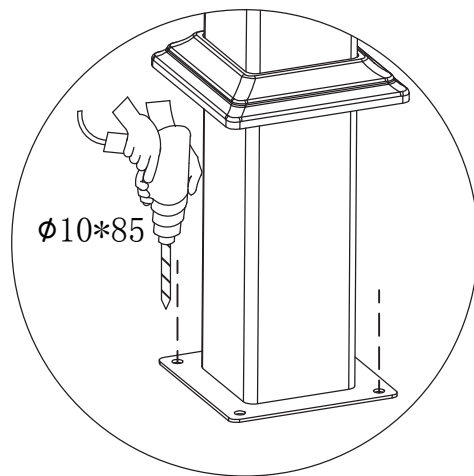
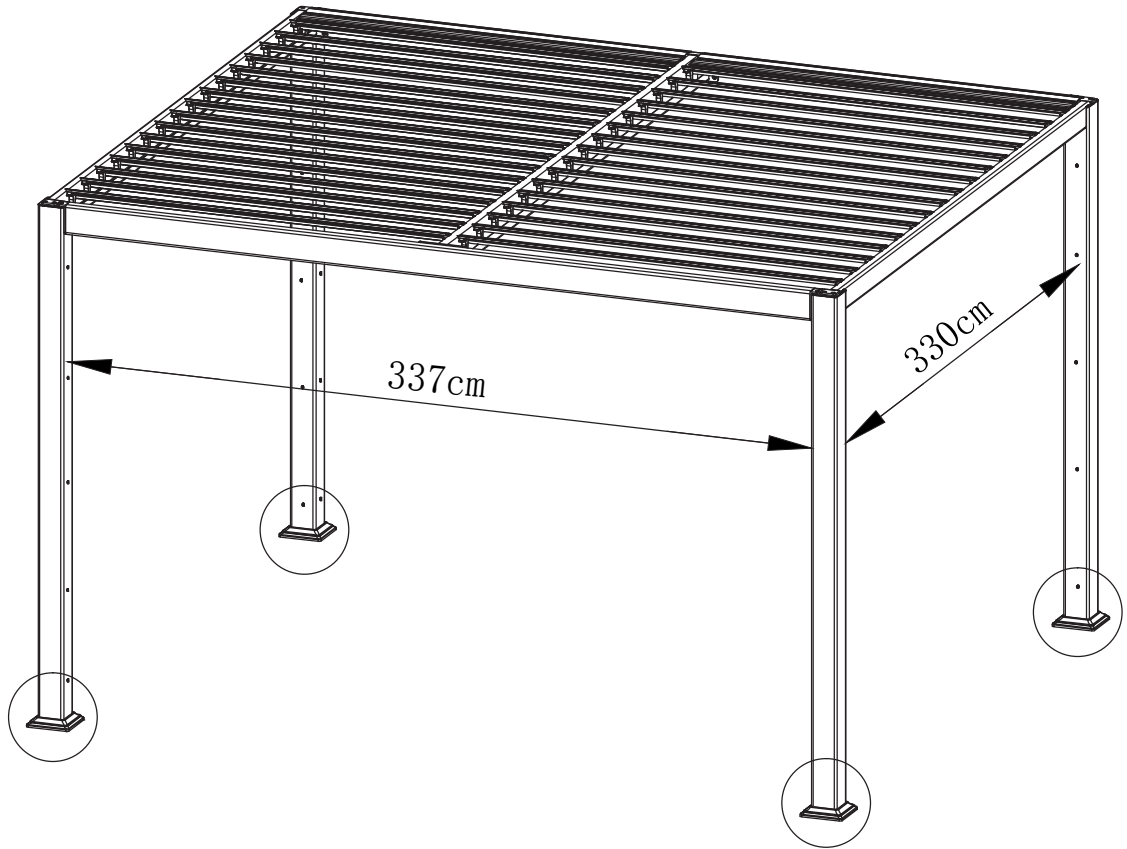
**STEP 13**







**STEP 14**





**STEP 15** →

