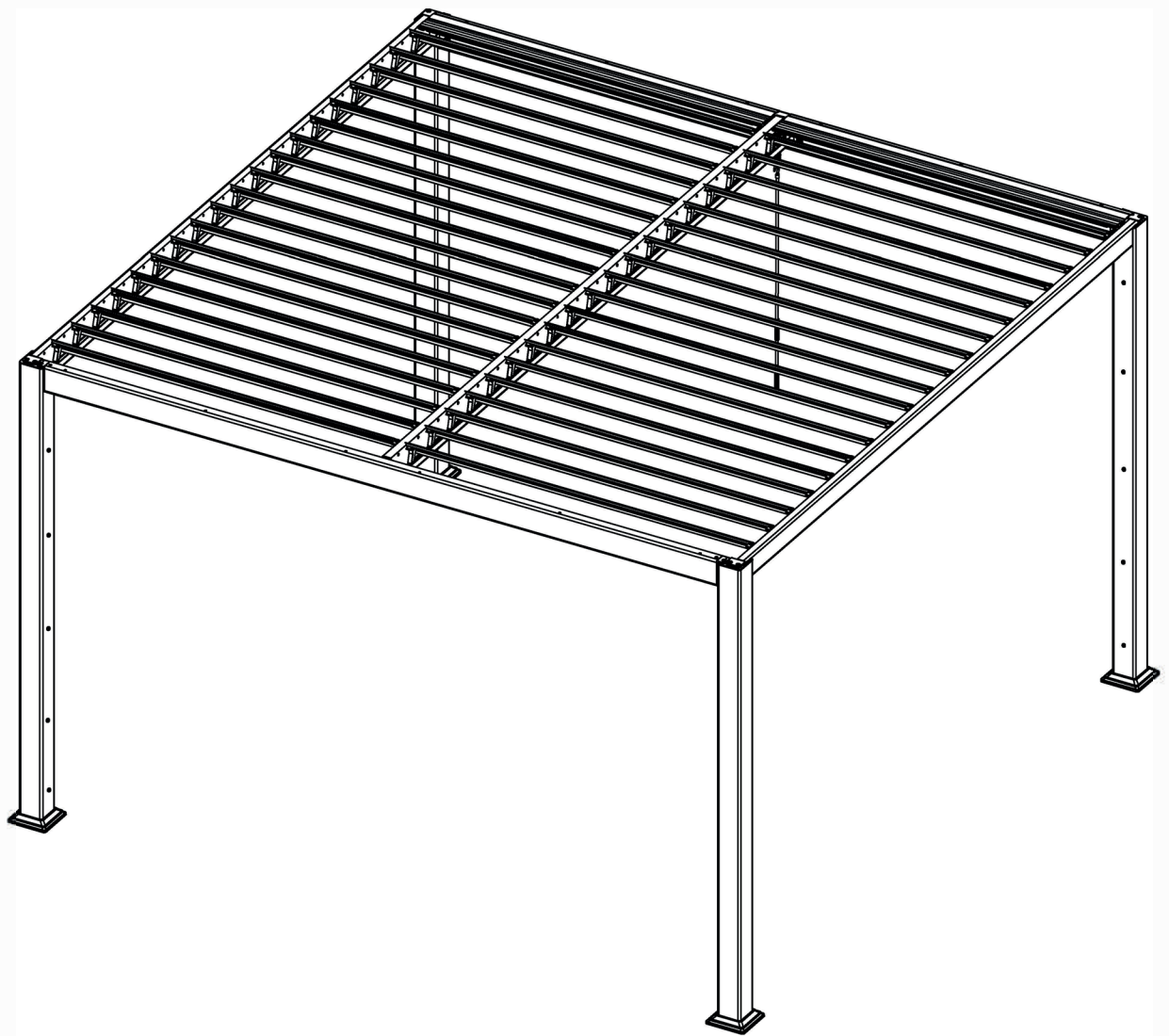




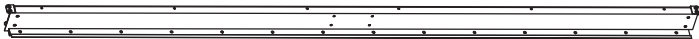











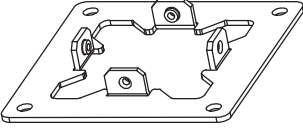
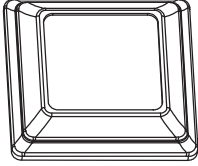


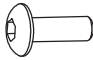
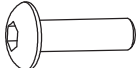
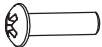
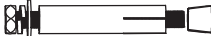






SUN'S
L I F E S T Y L E

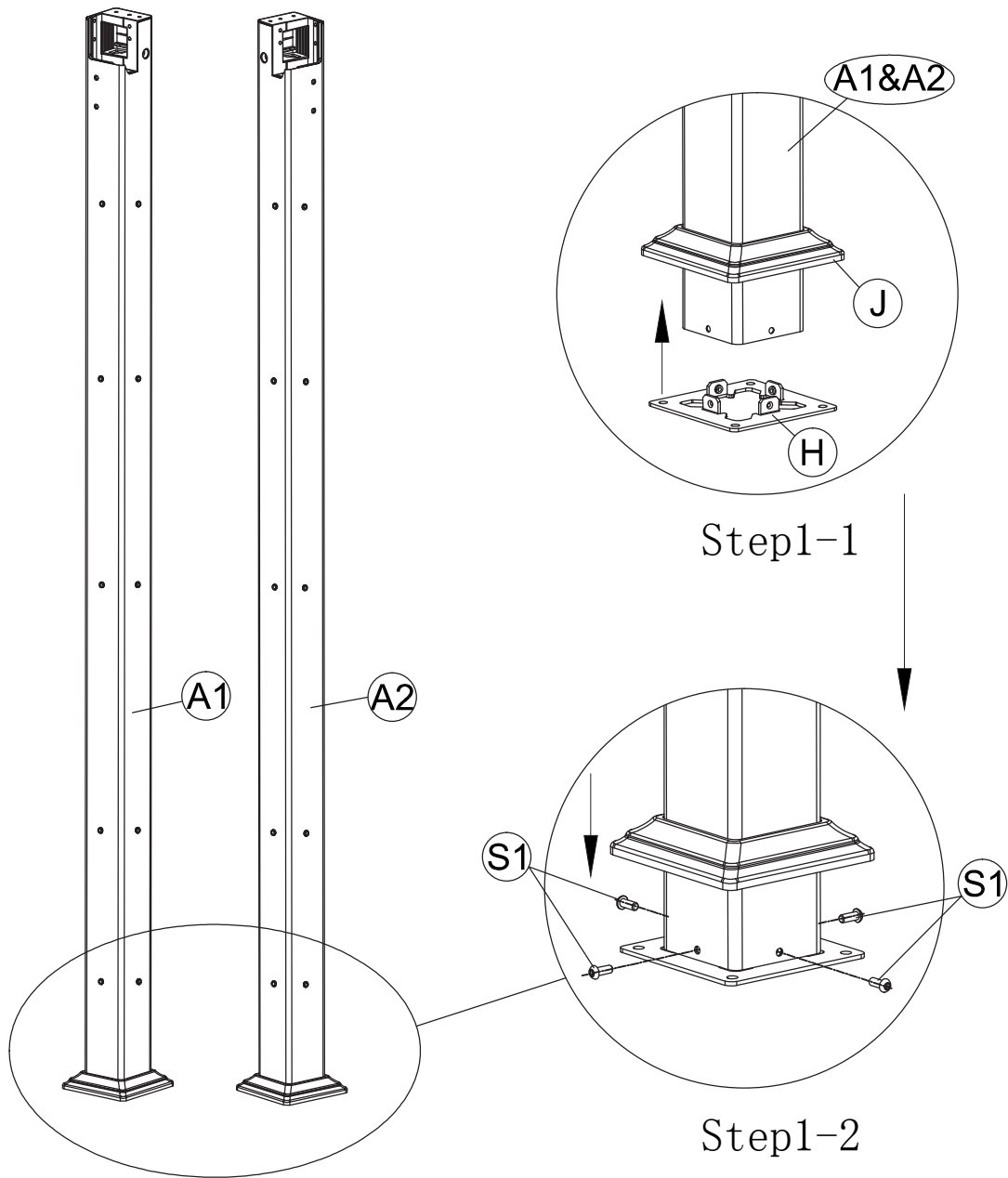
3*3.6*2.3M



REF	PCE	PIECE		QTY	DIM
	A1			2	
	A2			2	
	B			2	
	C1			1	
	C2			1	
	D			1	
	F			64	
	G			2	
	H			4	
	J			4	
	L			2	

REF	PCE	PIECE	QTY	DIM
	R		1	
	S1	 M6*15	22+2	
	S2	 M8*20	36+2	
	S3	 M4*18	2	
	S4		8+1	
	T1		2	
	T2		1	
	T3		1	
		 Silicone neutral glass glue, purchased by customers		

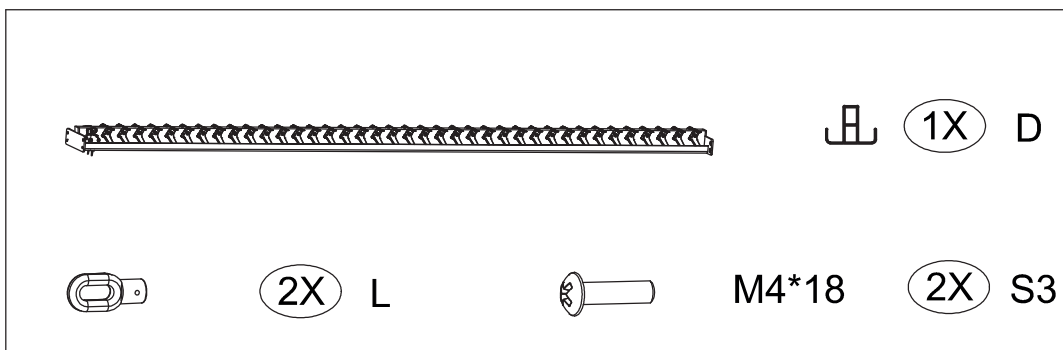
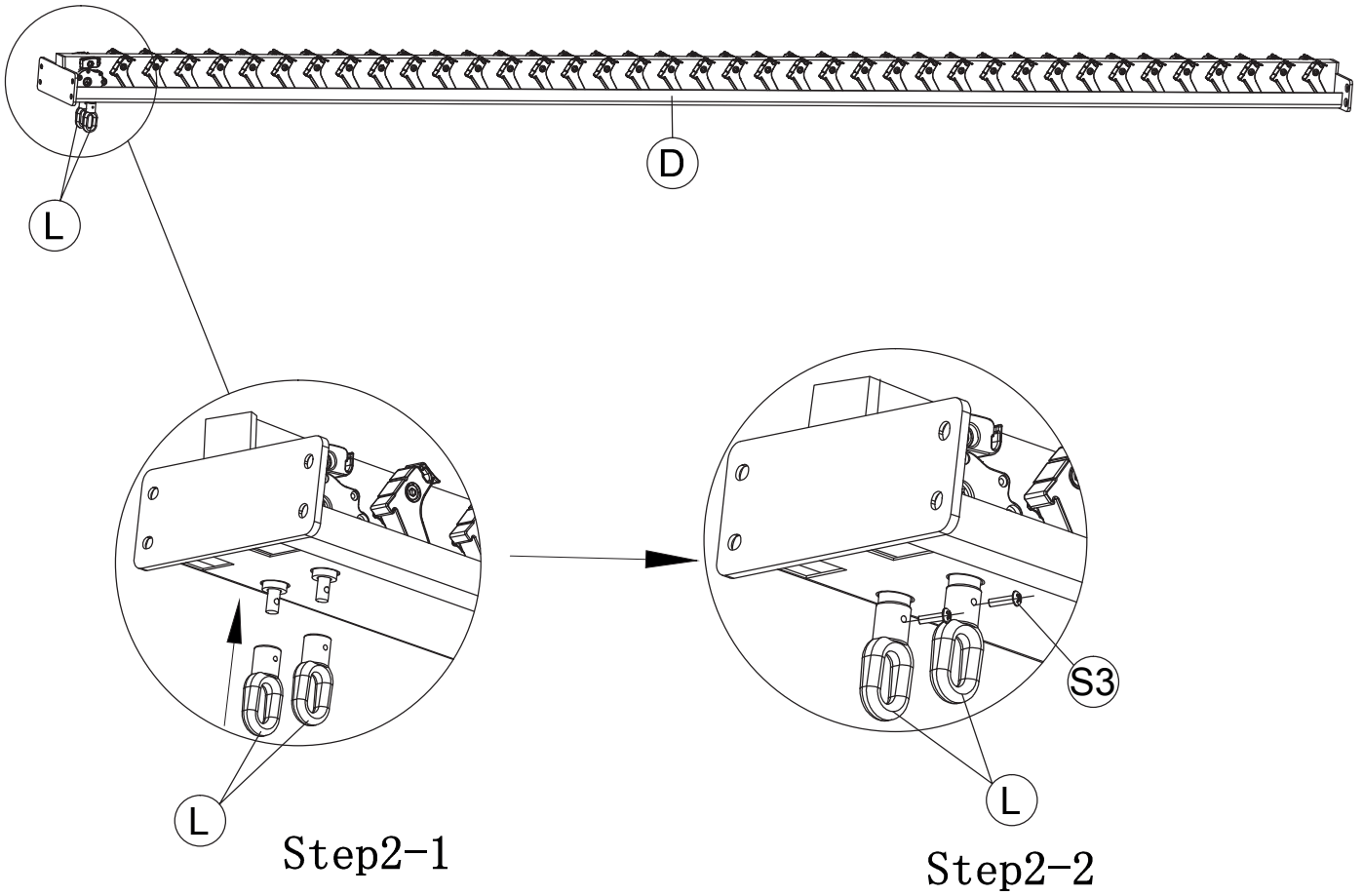
STEP 01



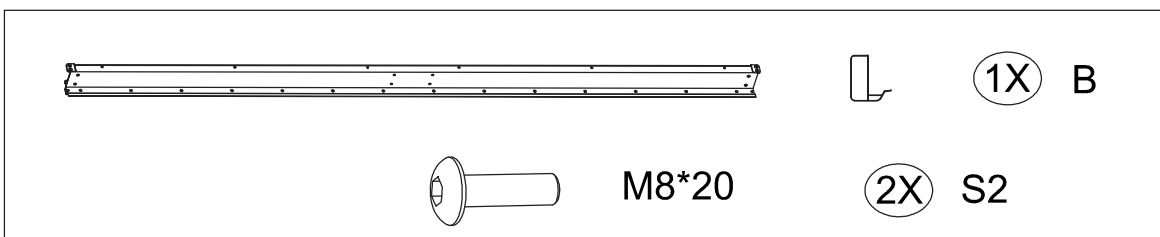
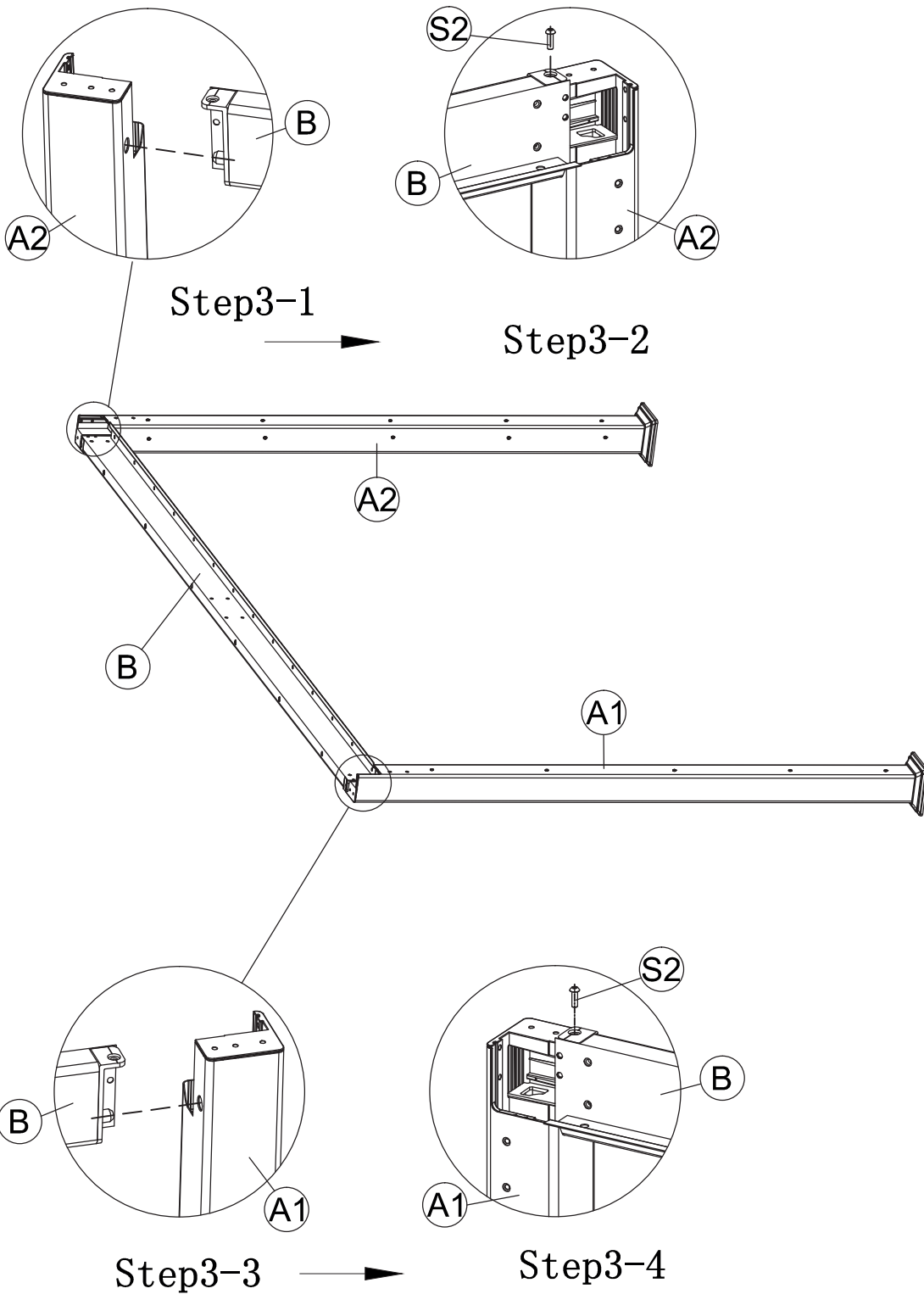
- | | | | |
|--|----------------------------------|----------|--------|
| | <input type="checkbox"/> (2X) A1 | | (4X) H |
| | <input type="checkbox"/> (2X) A2 | | (4X) J |
| | M6*15 | (16X) S1 | |



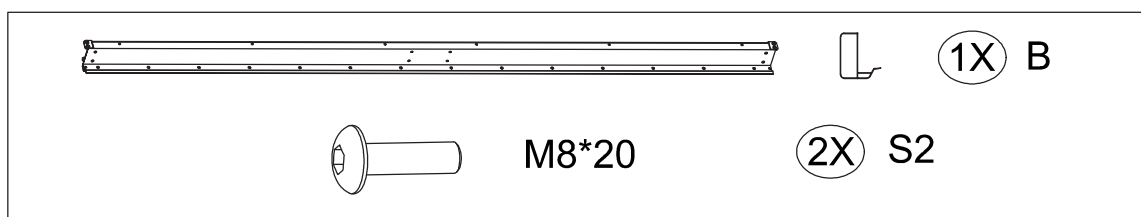
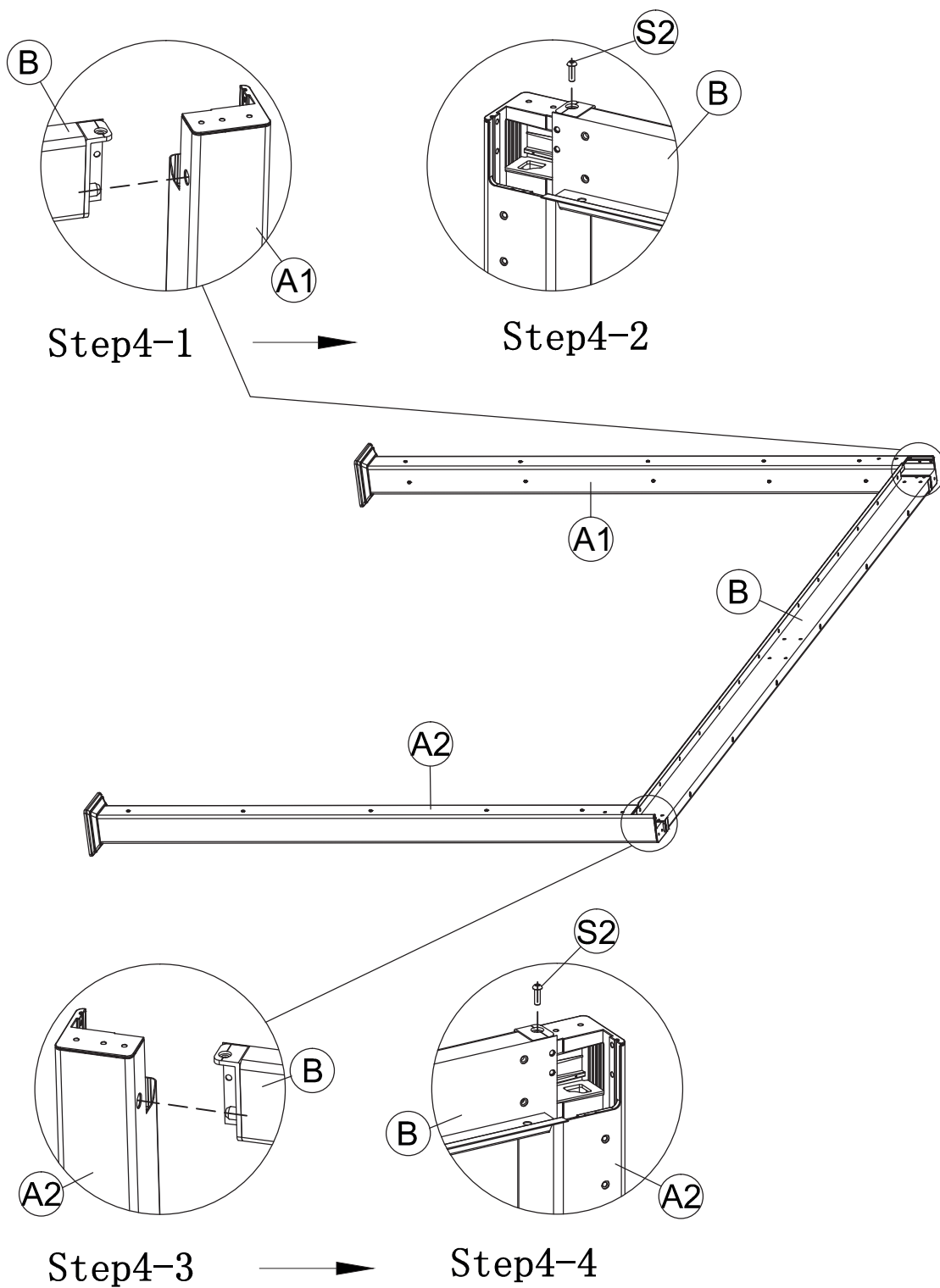
STEP 02



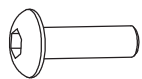
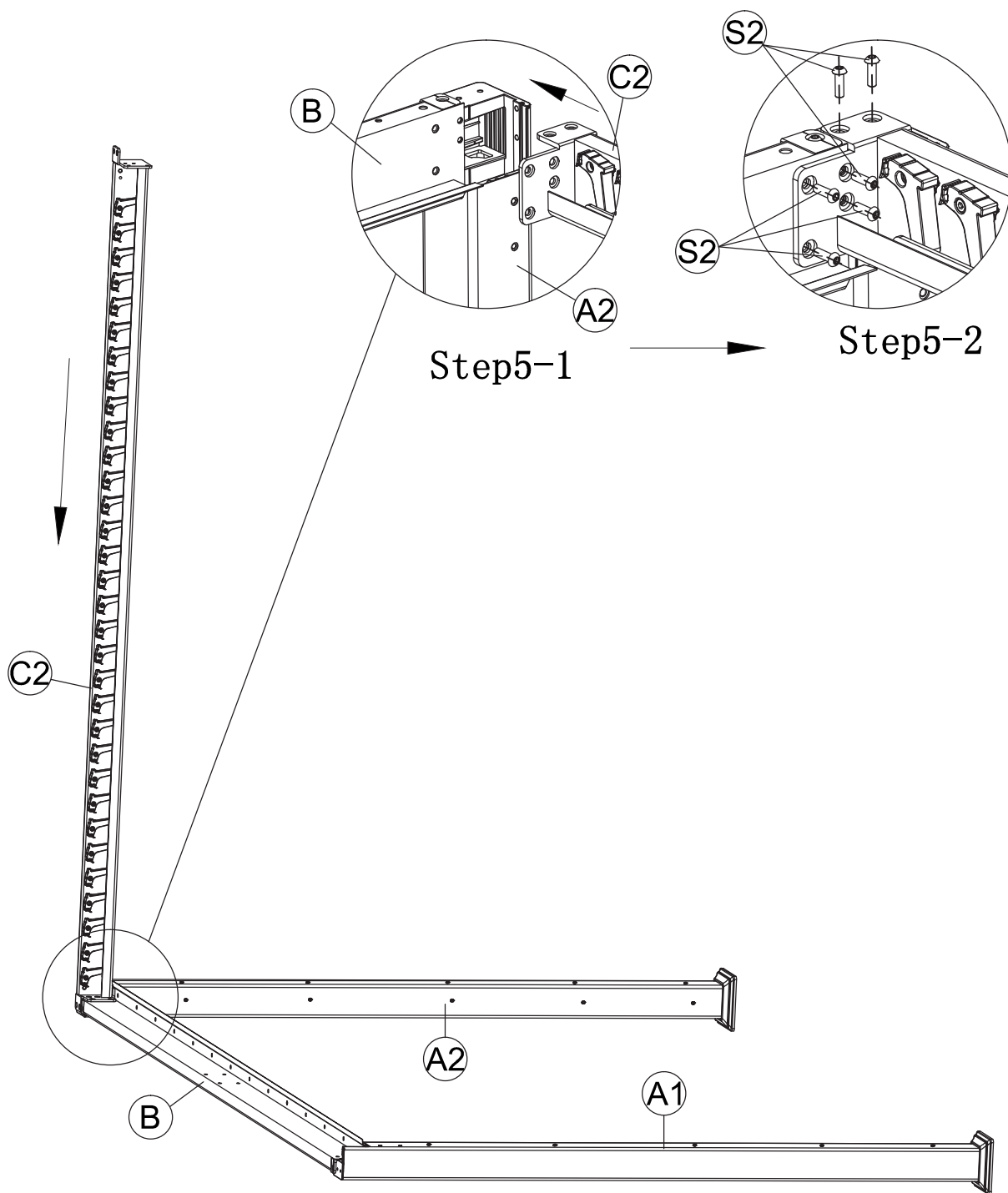
STEP 03



STEP 04



STEP 05

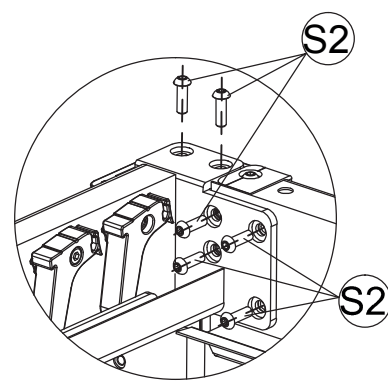
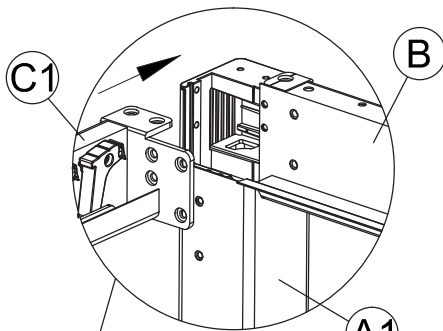
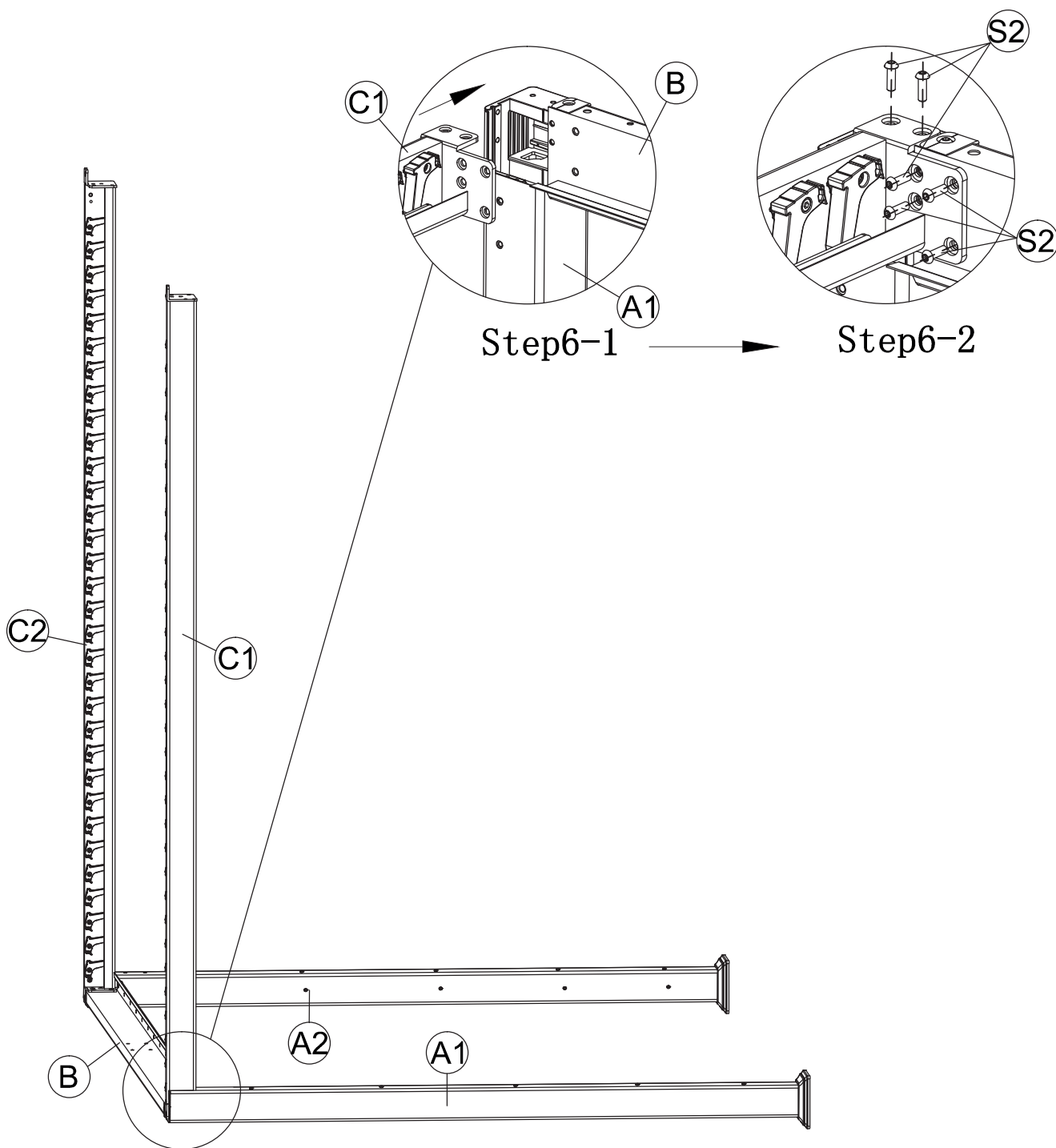


M8*20

6X

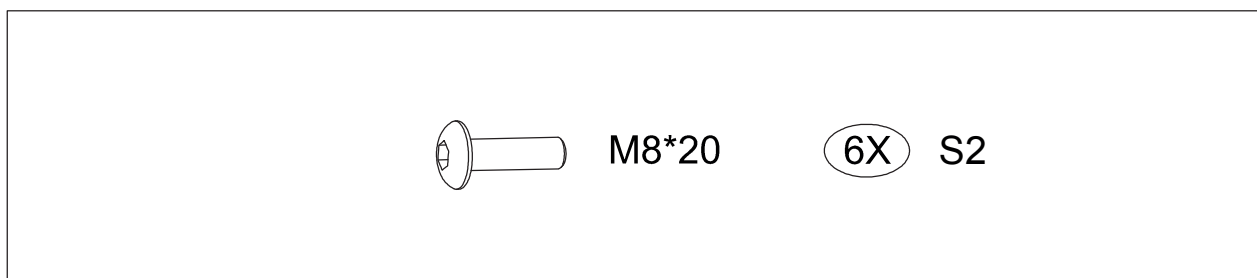
S2

STEP 06

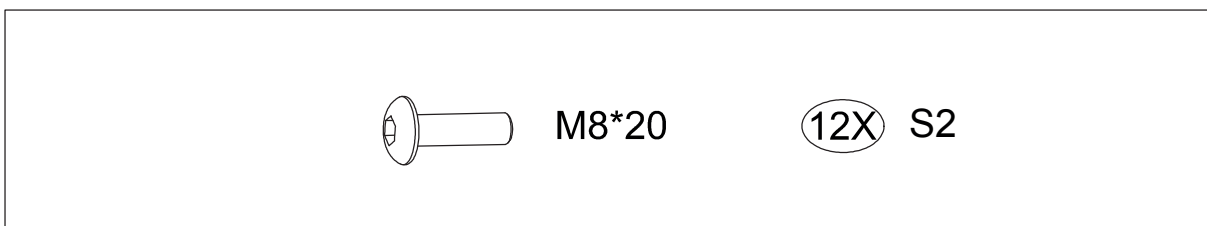
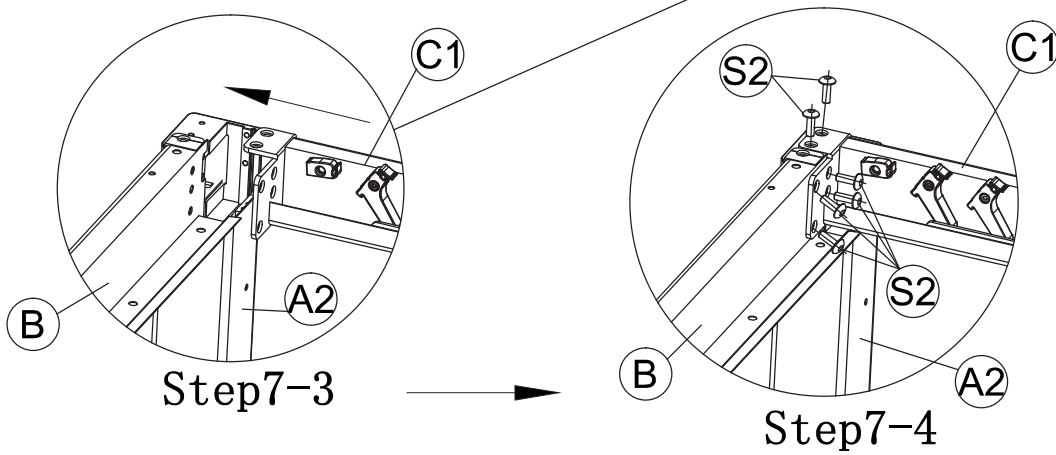
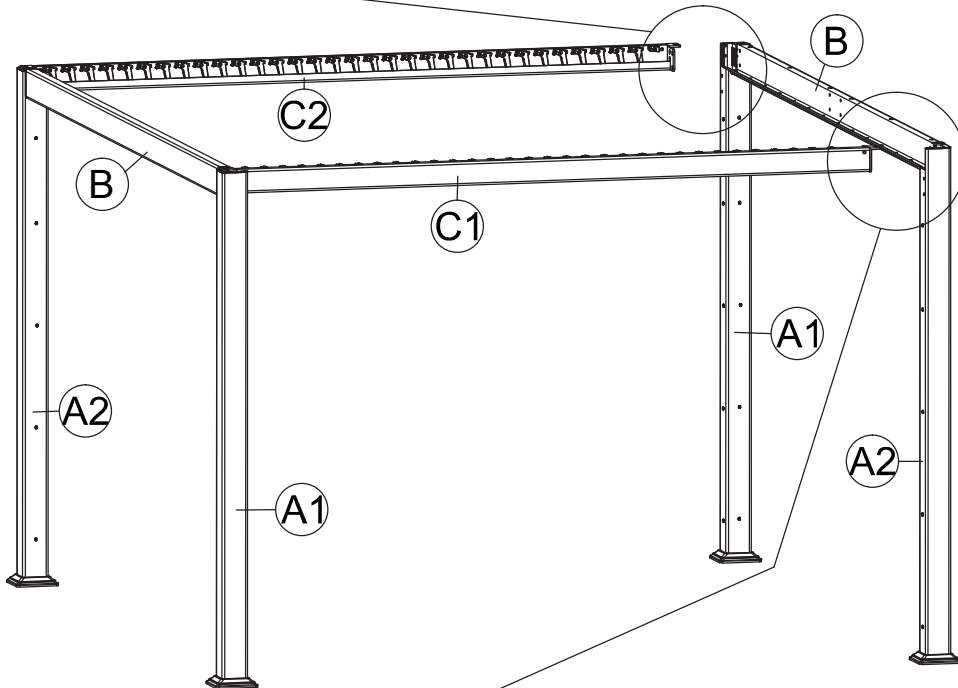
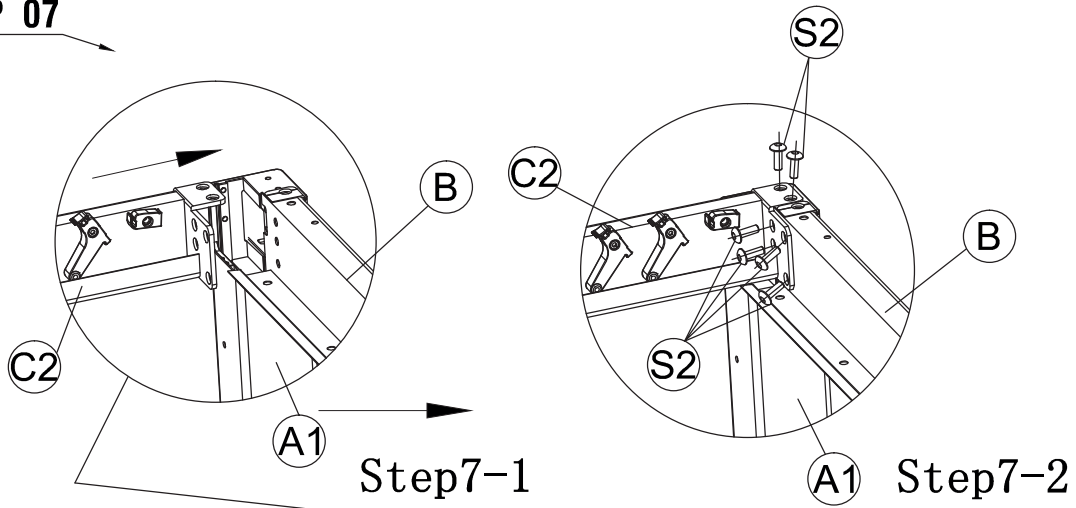


Step6-1

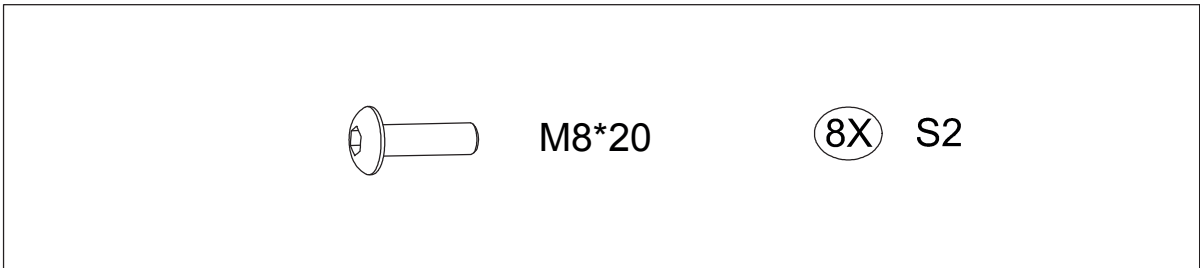
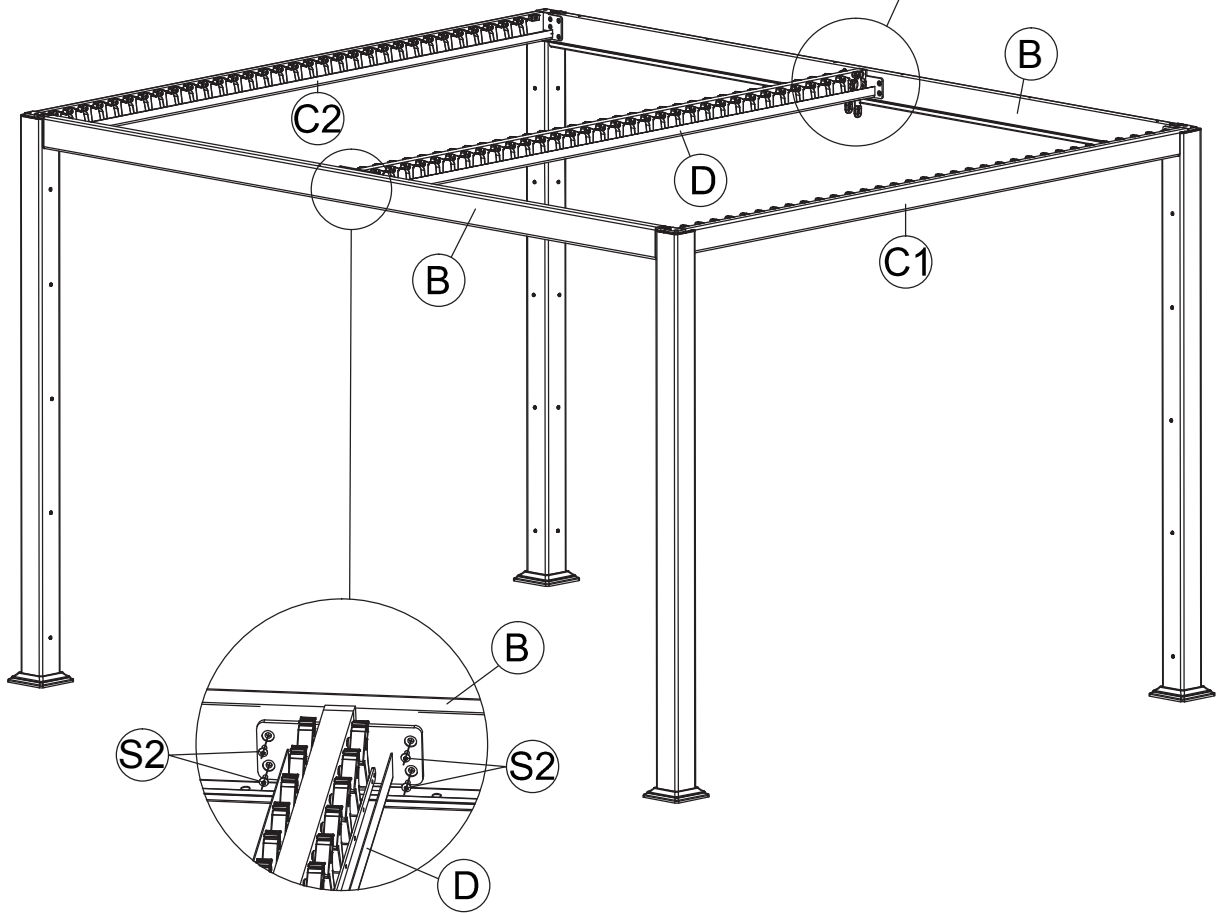
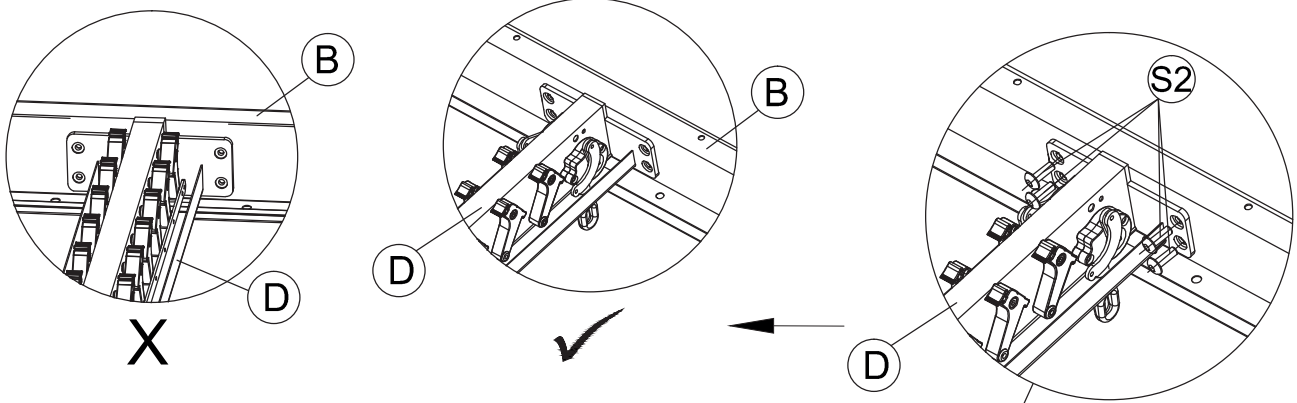
Step6-2



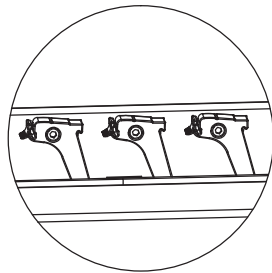
STEP 07



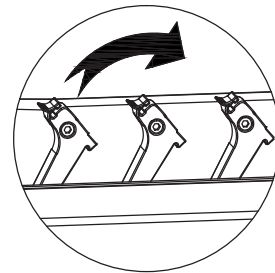
STEP 08



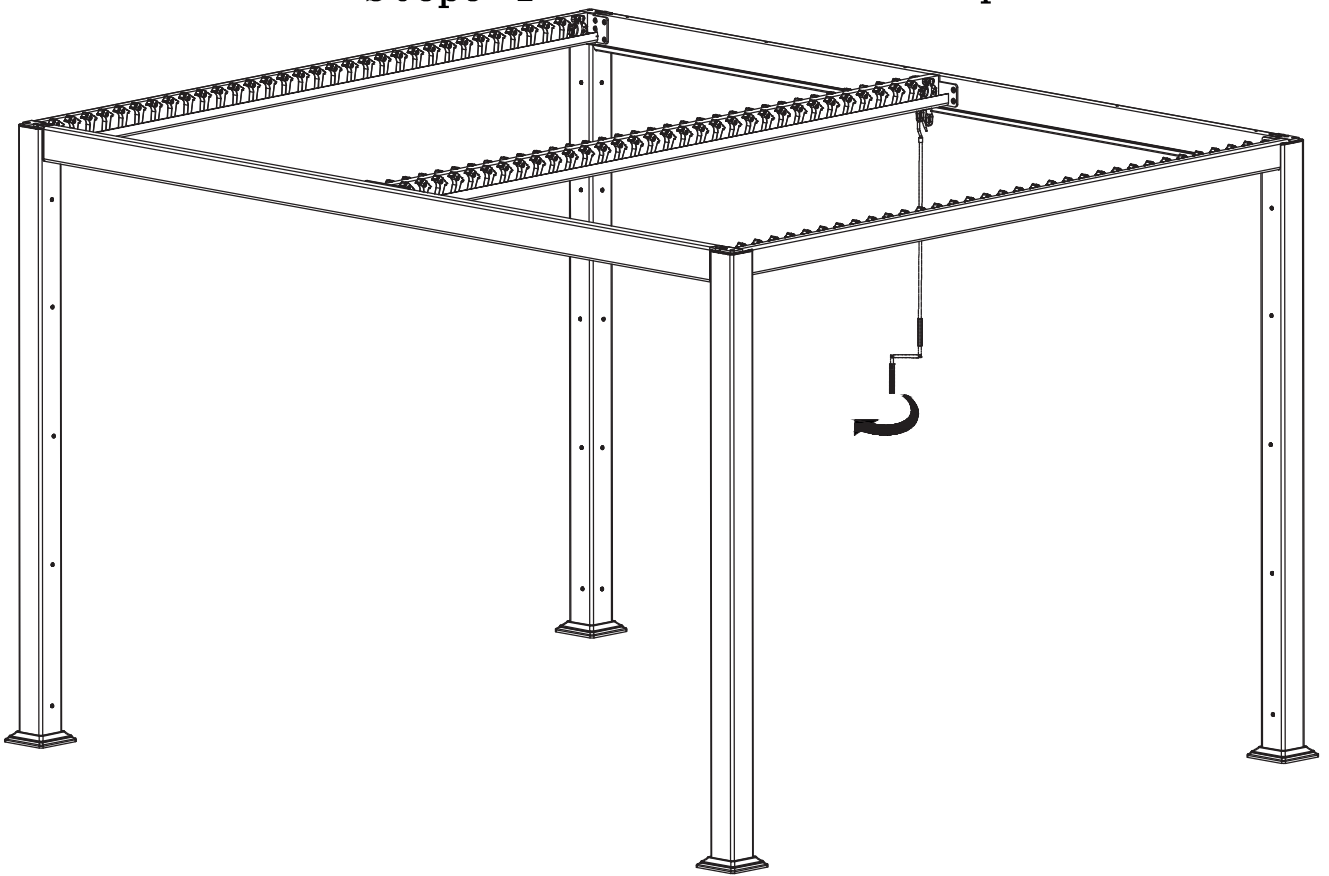
STEP 09



Step9-1



Step9-2

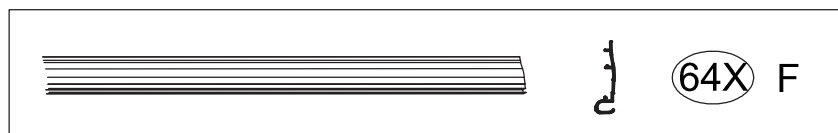
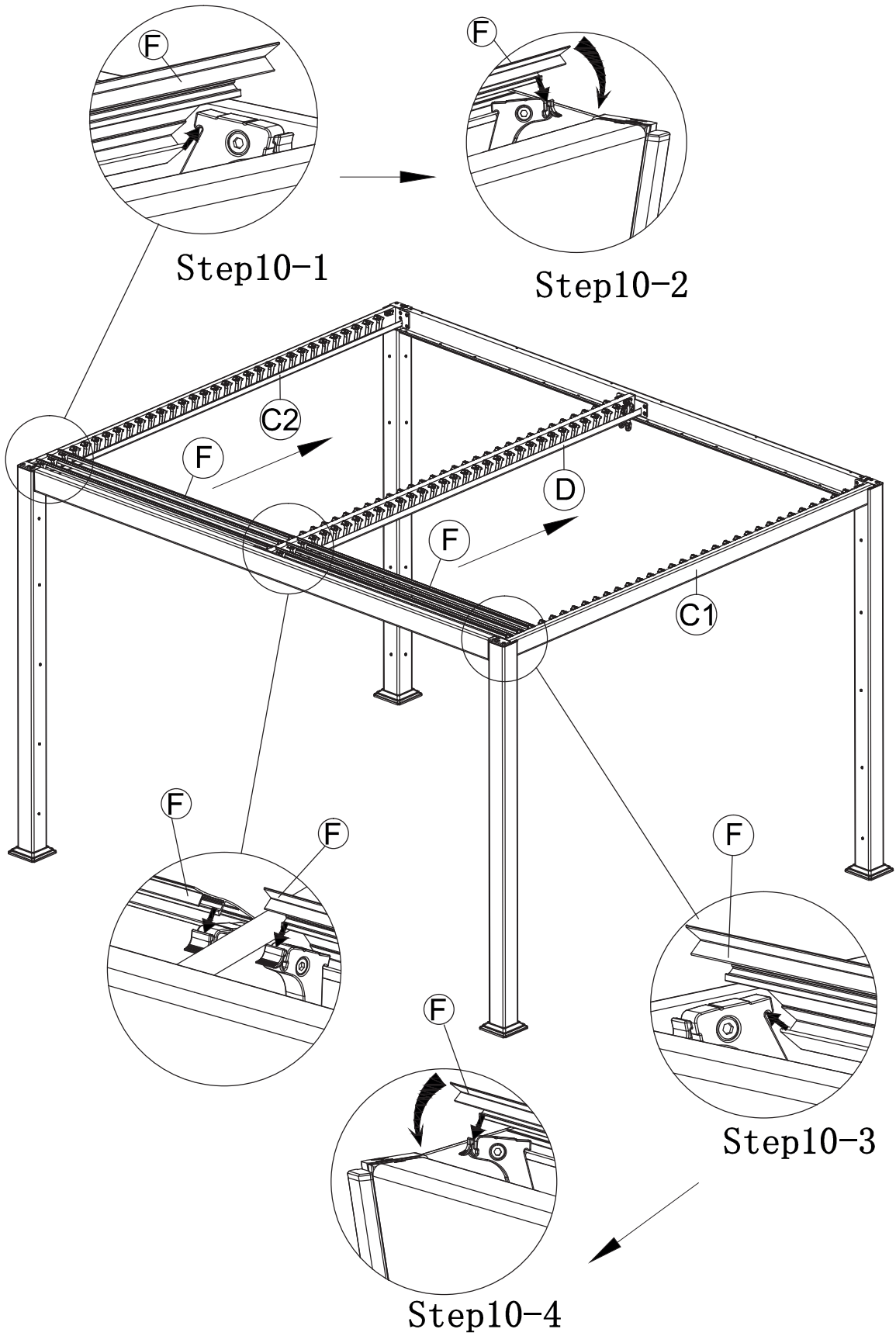


Turn the position from picture 1 to picture 2 first, then assemble the shutter.

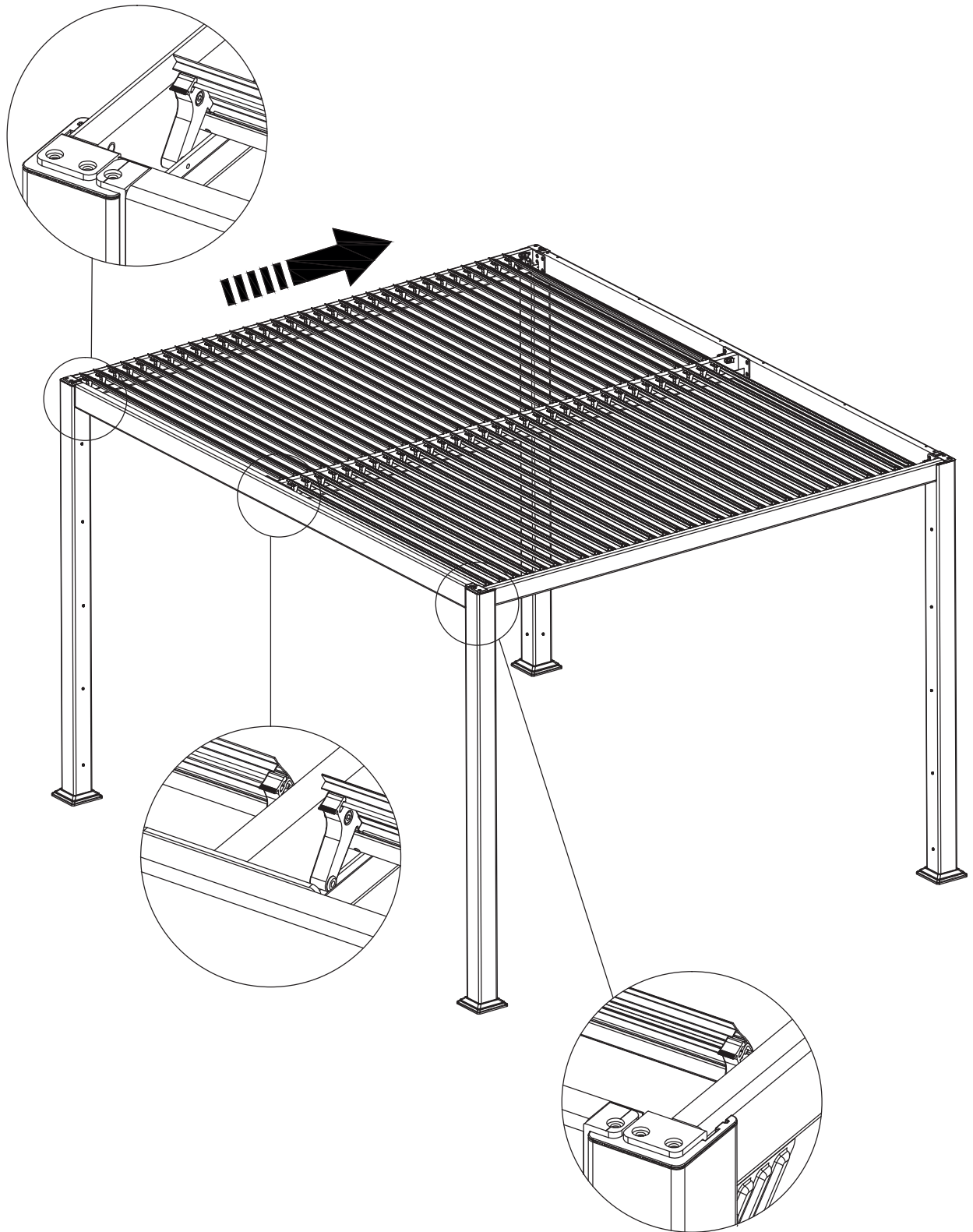


1X R

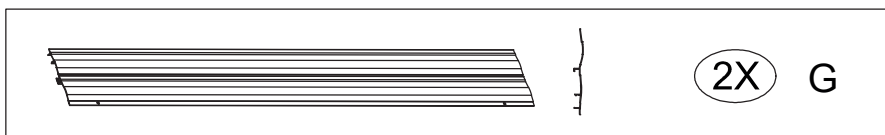
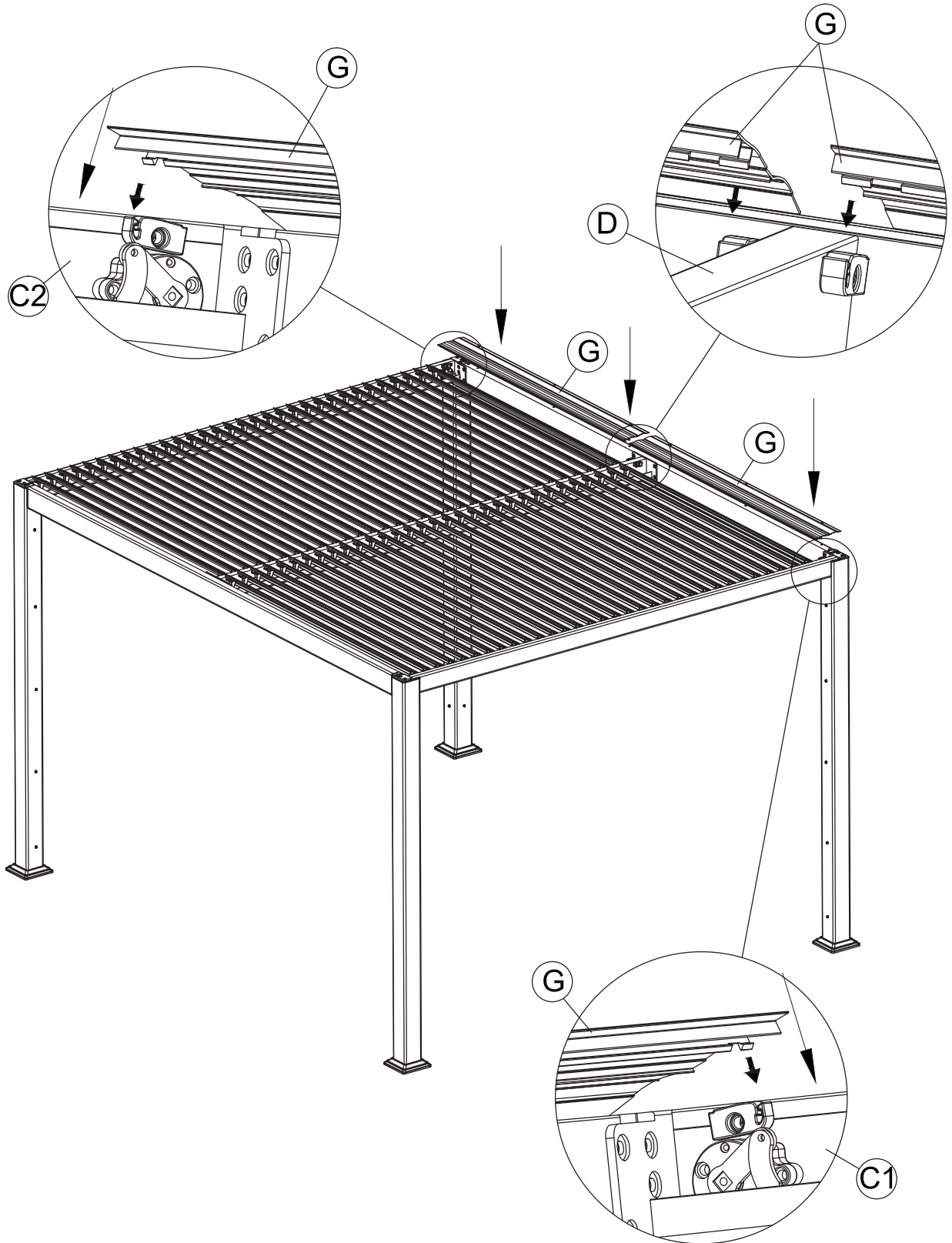
STEP 10



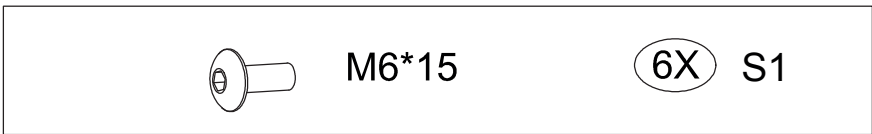
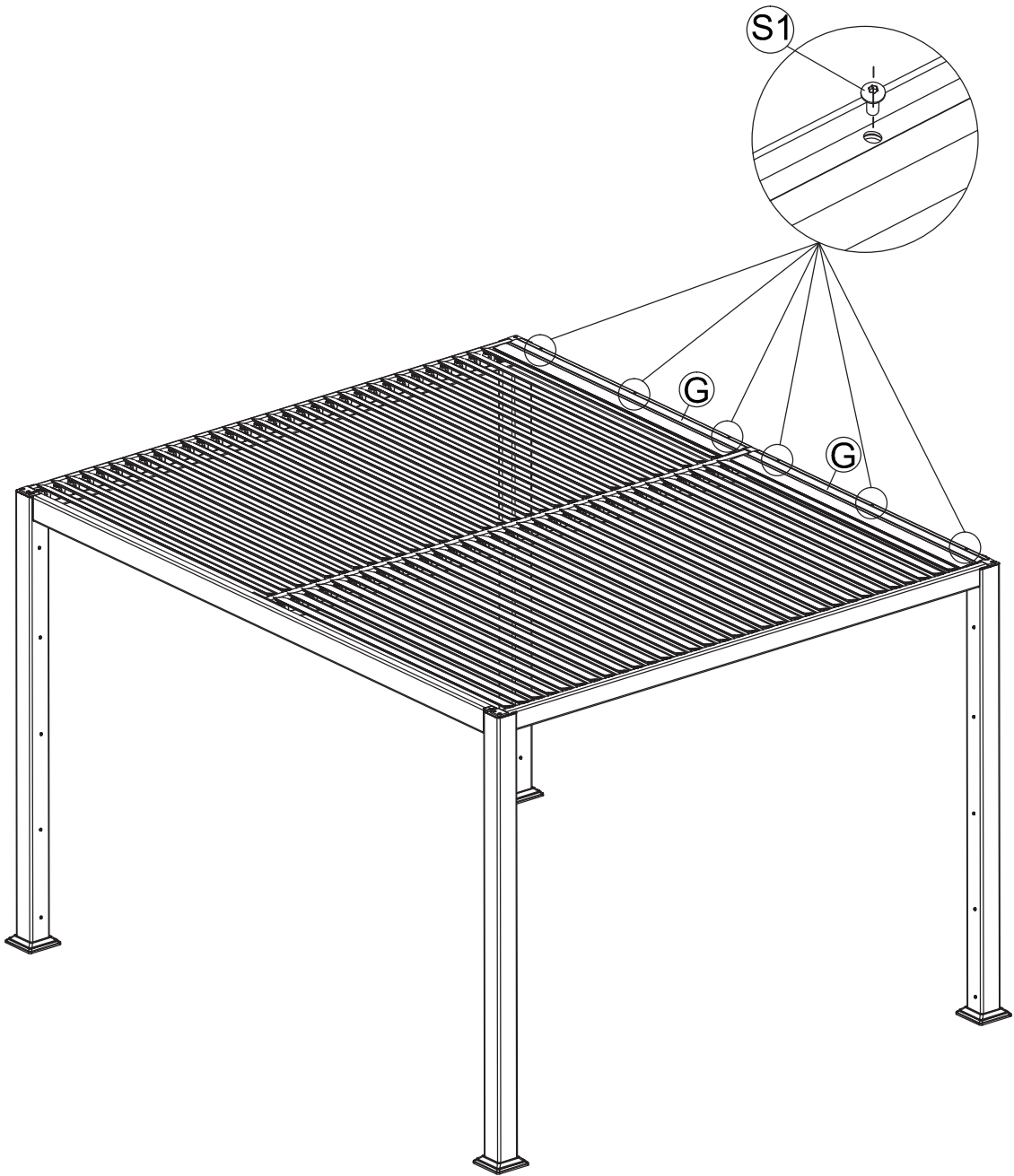
STEP 11



STEP 12

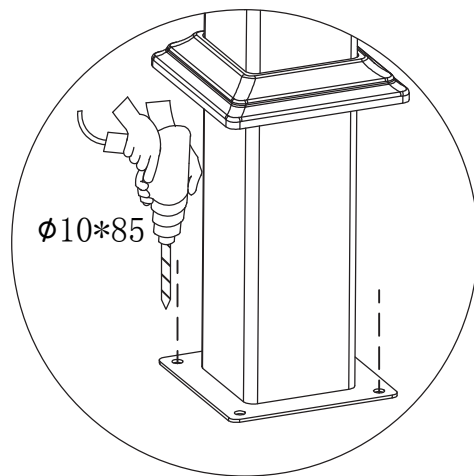
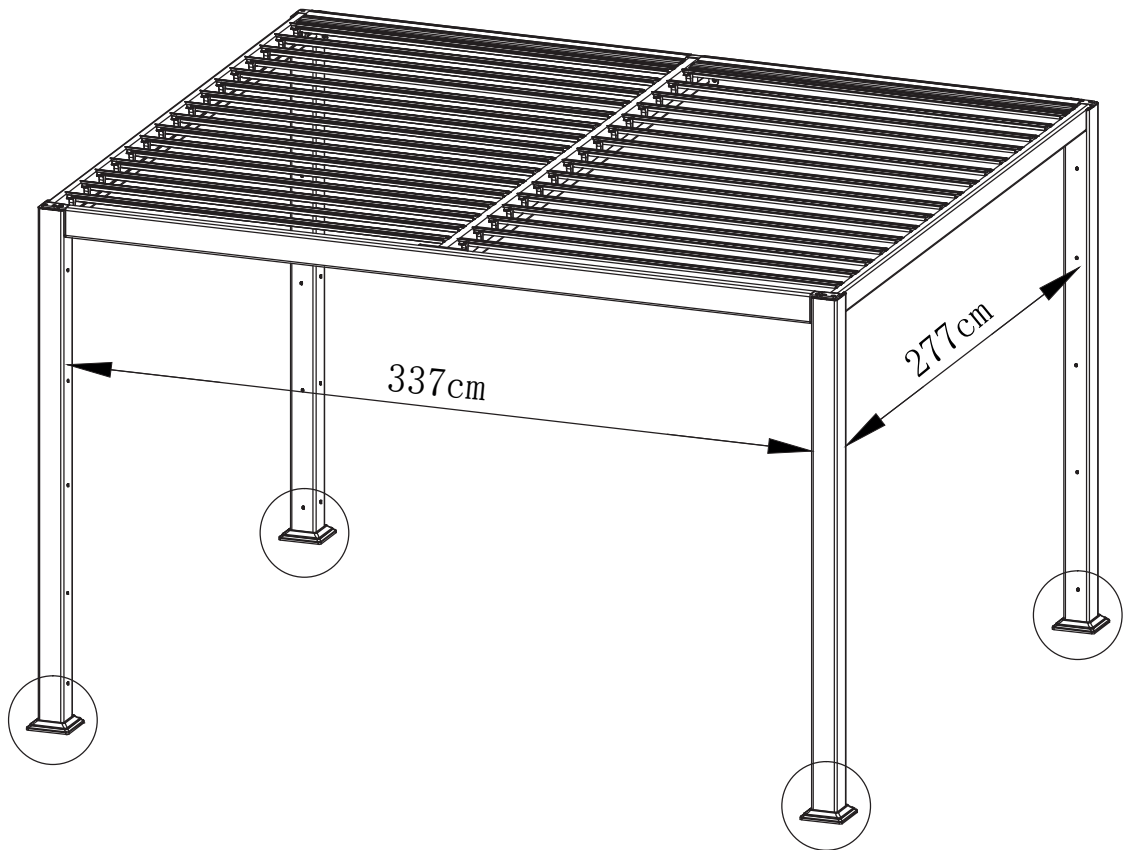


STEP 13





STEP 14





STEP 15 →

