

LUXE RETRACTABLE PERGOLA
3.95 X 3.65 X 2.5M



YOUR
LUXE
RETRACTABLE
INSTRUCTION MANUAL

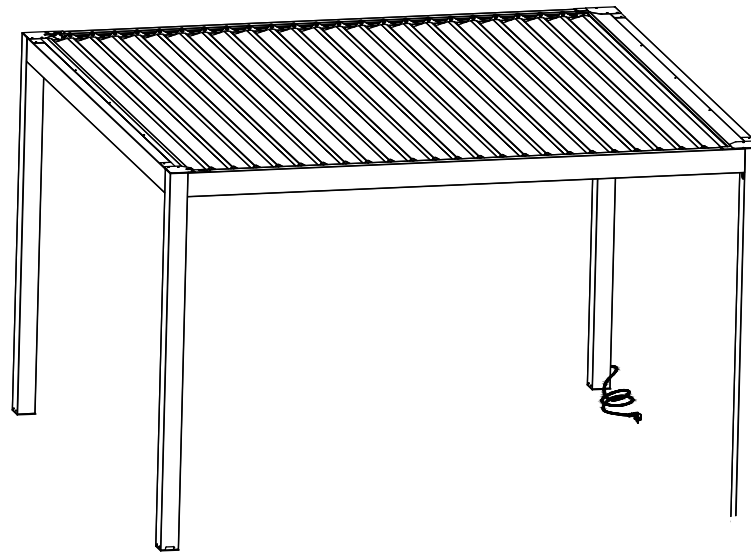
LUXE RETRACTABLE PERGOLA

3.95 X 3.65 X 2.5M

WHAT YOU'LL NEED

 x4 people

 300 mins



LUXE RETRACTABLE PERGOLA

3.95 X 3.65 X 2.5M



MAXIMUM FLEXIBILITY

Thank you for buying a Suns Lifestyle Pergola! We hope you will enjoy your terrace coverings much as we do. Because of its smart modular design, the Luxe Pergola is endlessly extendable in length.

THIS IS HOW IT WORKS

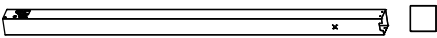
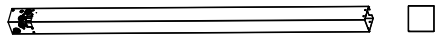
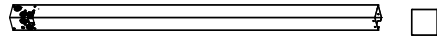


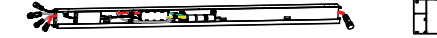
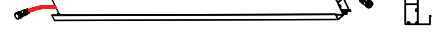
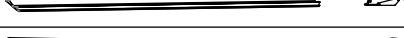
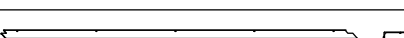



The Suns Lifestyle Luxe Pergola is available in several different models with standard sizes. You can extend both to the side and the length of the pergola.

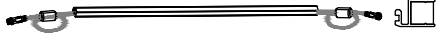
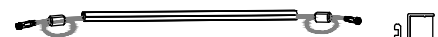







ATTENTION

For a first-time-right construction: please read carefully through all the instruction manuals (of the pergola, extension and side extension sets) before assembling your pergola configuration. This will save you hassle and time, and ensure the pergola is installed correctly.

LUXE RETRACTABLE PERGOLA




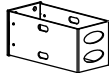










3.95 X 3.65 X 2.5M













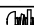






PCE	PIECE	QTY
1		1
2		2
3		1
8		1
9		1
20		1
21		1
26		24
28		2
30		1
32		1
34		1

PCE	PIECE	QTY
36		2
37		2
100		1
101		1
102		23
103		23
104		1
105		1
109		2

LUXE RETRACTABLE PERGOLA

3.95 X 3.65 X 2.5M

PCE	PIECE	QTY
108		2
110		2
116		4
112		4
114		2
115		2
117		8
122		1
119	 	1
72		1
73		1
123		1
		15

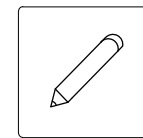
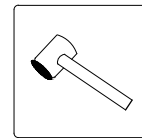
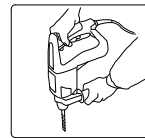
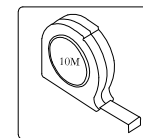
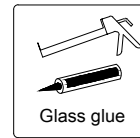
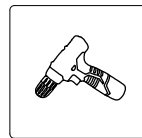
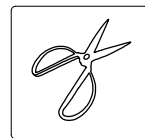
PCE	PIECE	QTY
A	 M6*10	4
B	 M6*15	4
C	 M6*20	16+2
D	 $\varnothing 7.2 \times 11 \times M6 \times 8$	92+2
E	 M6*25	144+2
F	 ST4. 2*12	4
G	 M8*35	8+2
H	 M5*20	36+2
J	 M8	24+2
K	 M6*8	12
L	 M6 \times 60mm	16
T	 ST3. 5*15	1
U	 M6*25	4
M		2
N		2
P		2
Q		2
R		1
S		1

LUXE RETRACTABLE PERGOLA

3.95 X 3.65 X 2.5M

TOOL LIST

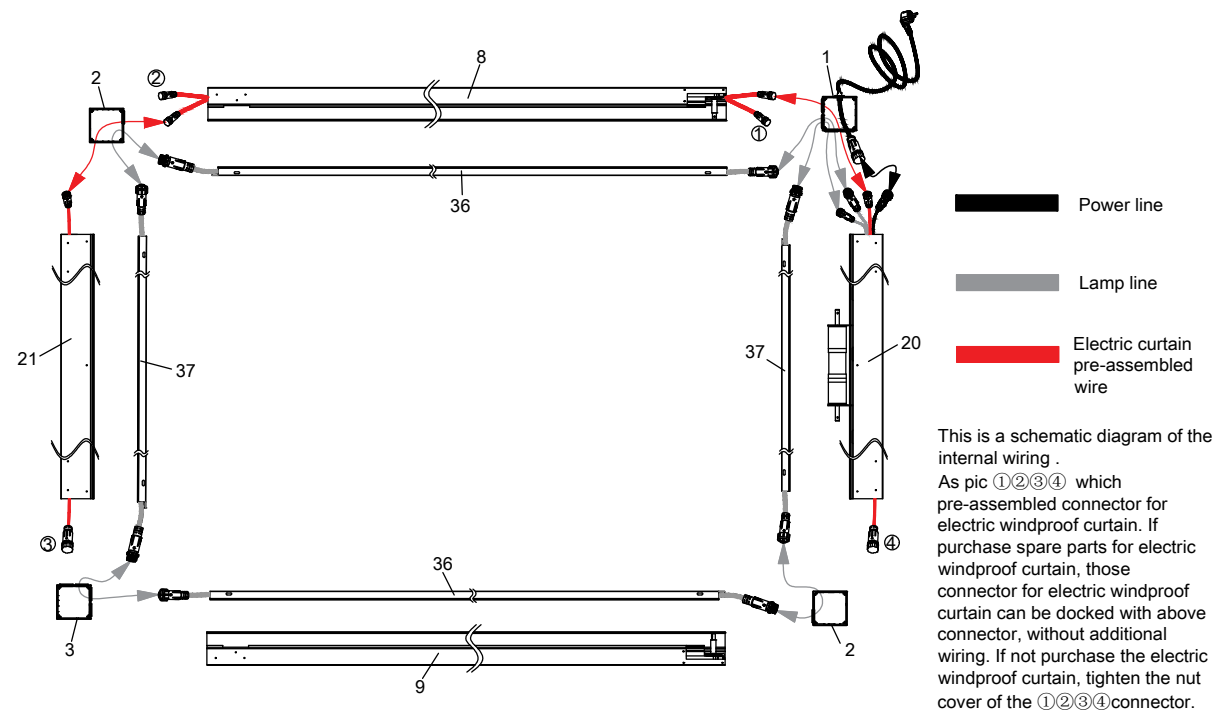
Please have these ready for assembly



LUXE RETRACTABLE PERGOLA

3.95 X 3.65 X 2.5M

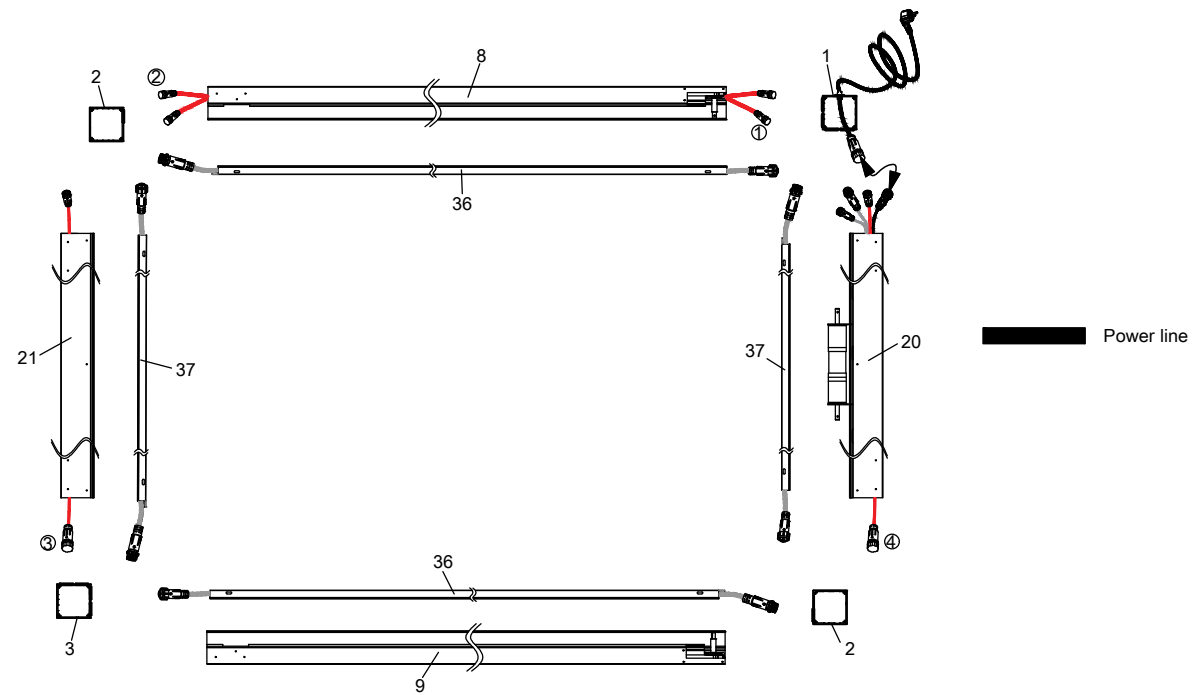
SCHEMATIC DIAGRAM



LUXE RETRACTABLE PERGOLA

3.95 X 3.65 X 2.5M

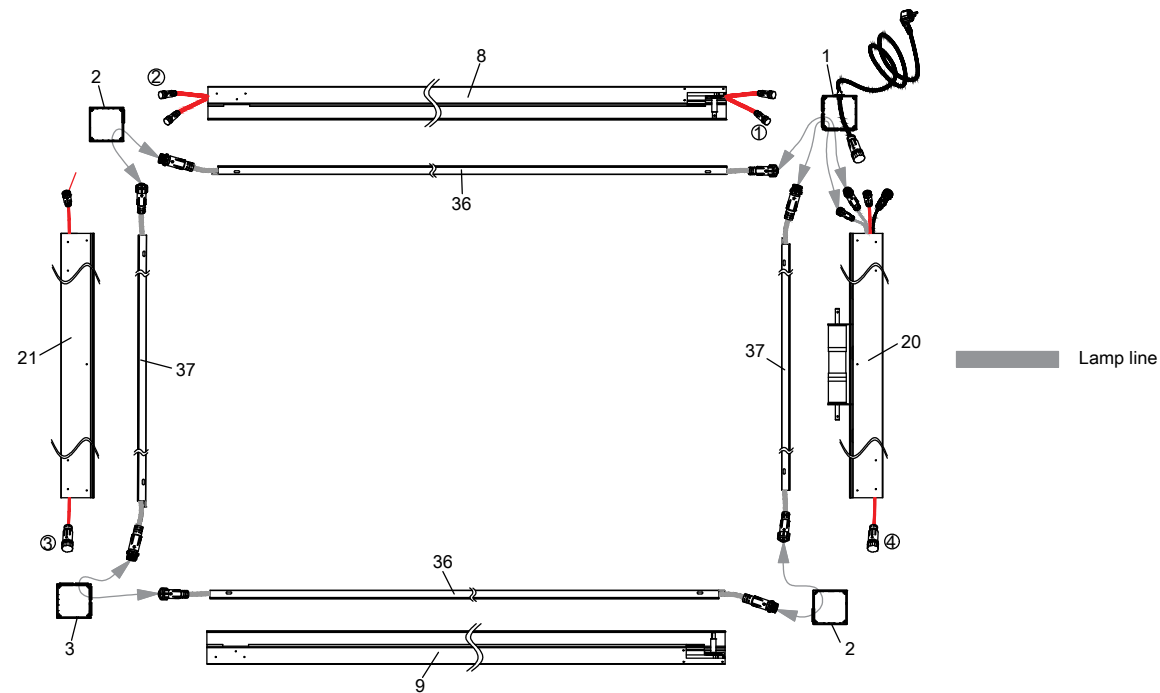
SCHEMATIC DIAGRAM



LUXE RETRACTABLE PERGOLA

3.95 X 3.65 X 2.5M

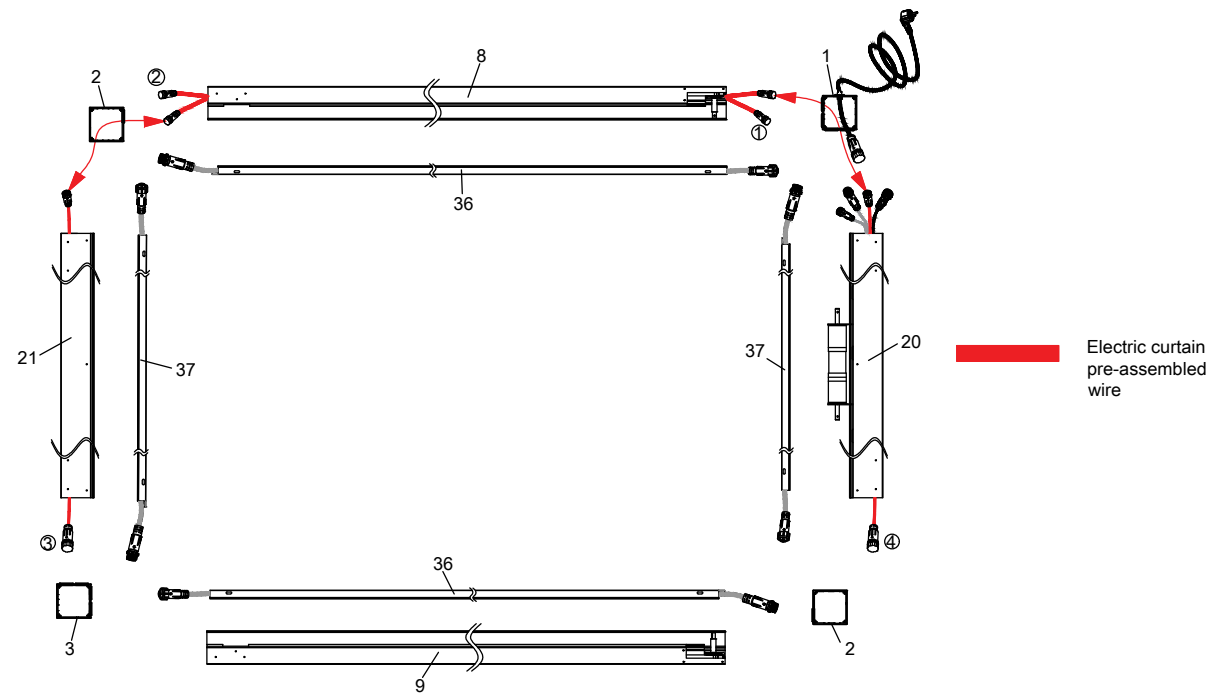
SCHEMATIC DIAGRAM



LUXE RETRACTABLE PERGOLA

3.95 X 3.65 X 2.5M

SCHEMATIC DIAGRAM

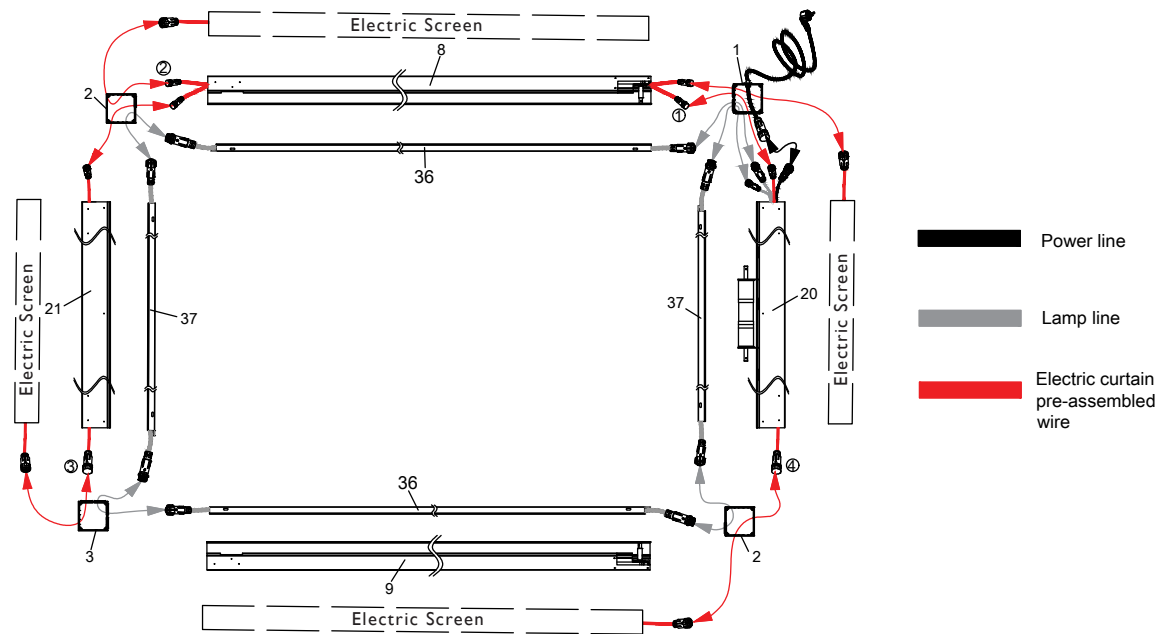


LUXE RETRACTABLE PERGOLA

3.95 X 3.65 X 2.5M

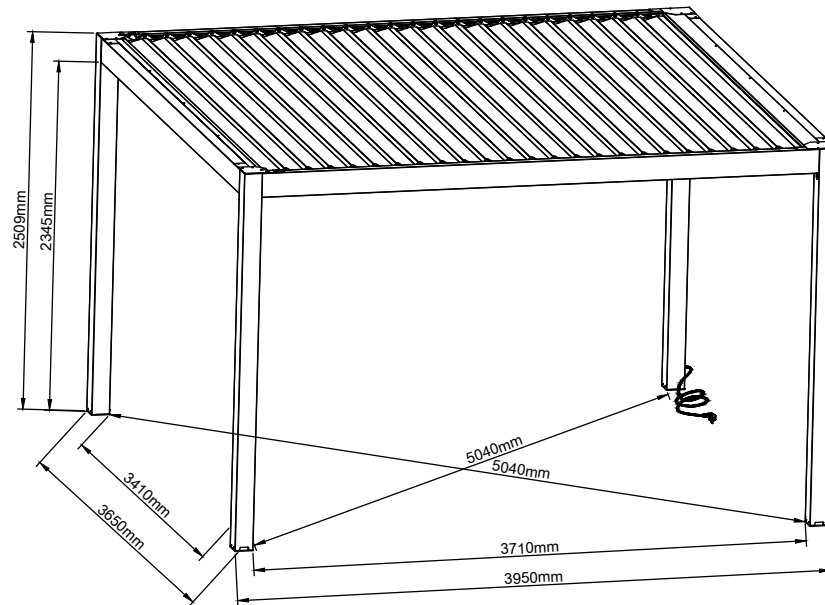
SCHEMATIC DIAGRAM

Electric Screen



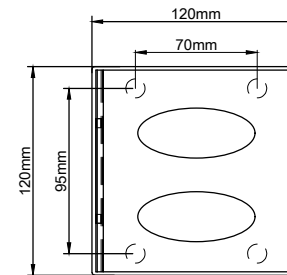
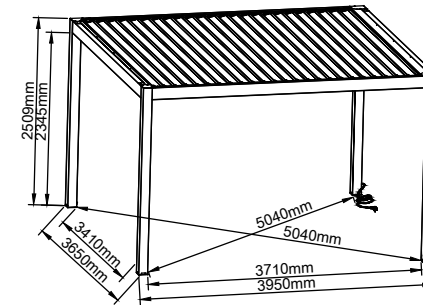
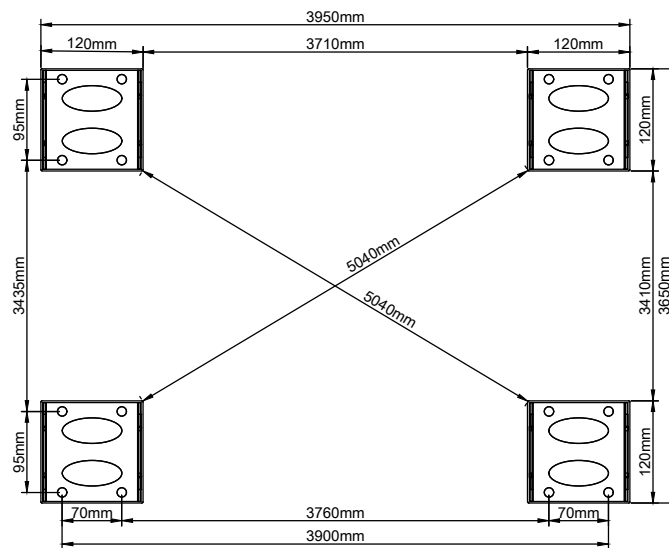
LUXE RETRACTABLE PERGOLA

3.95 X 3.65 X 2.5M



LUXE RETRACTABLE PERGOLA

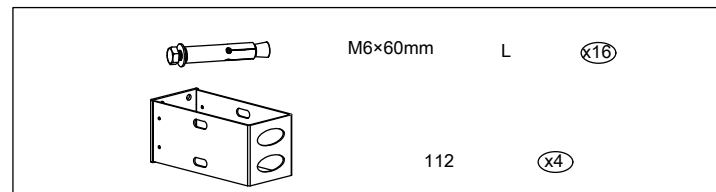
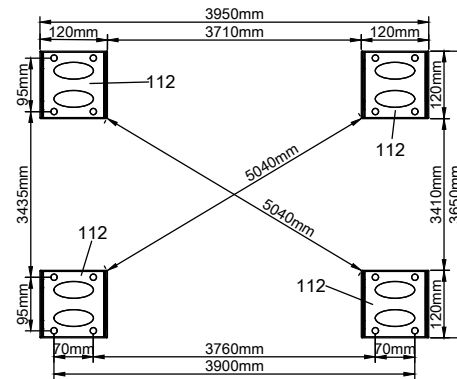
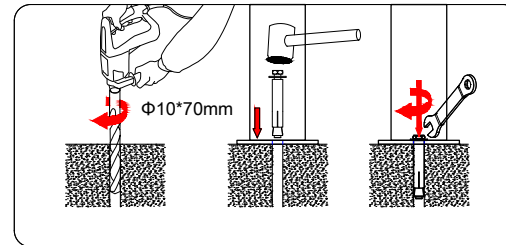
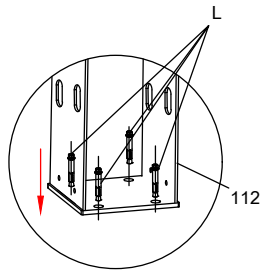
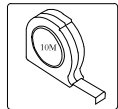
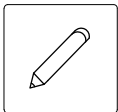
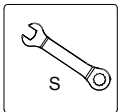
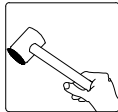
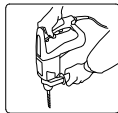
3.95 X 3.65 X 2.5M



LUXE RETRACTABLE PERGOLA

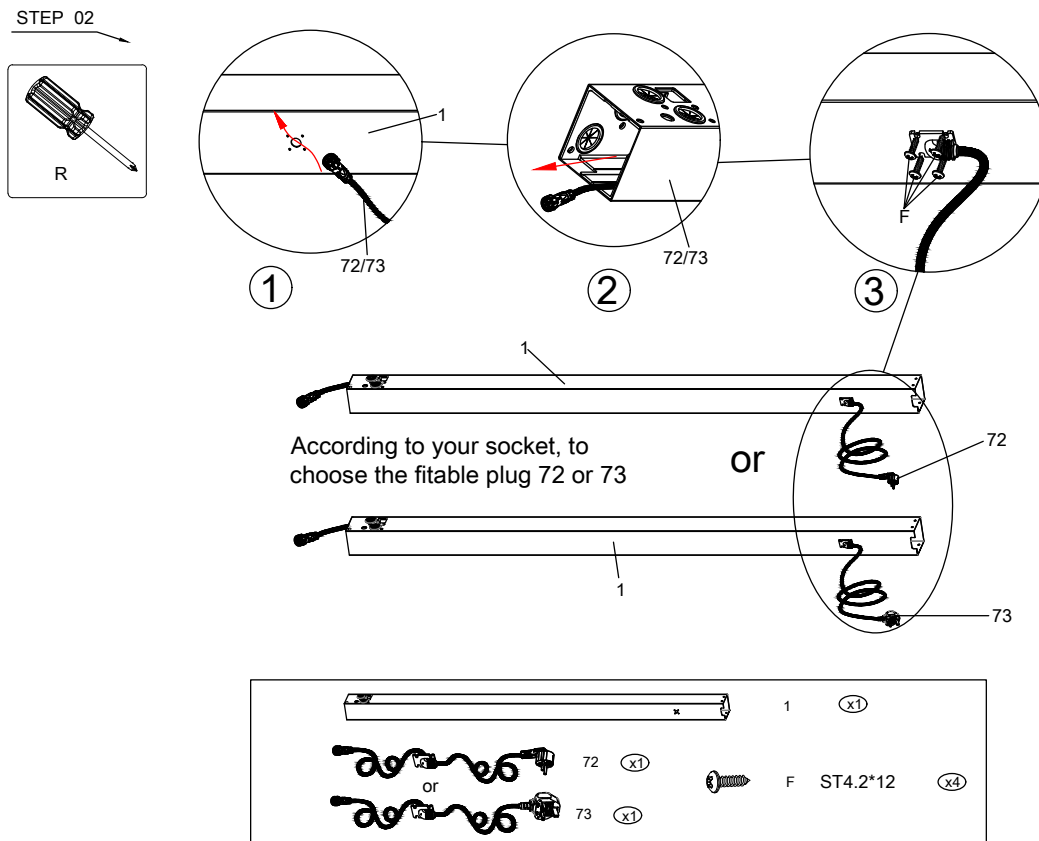
3.95 X 3.65 X 2.5M

STEP 01



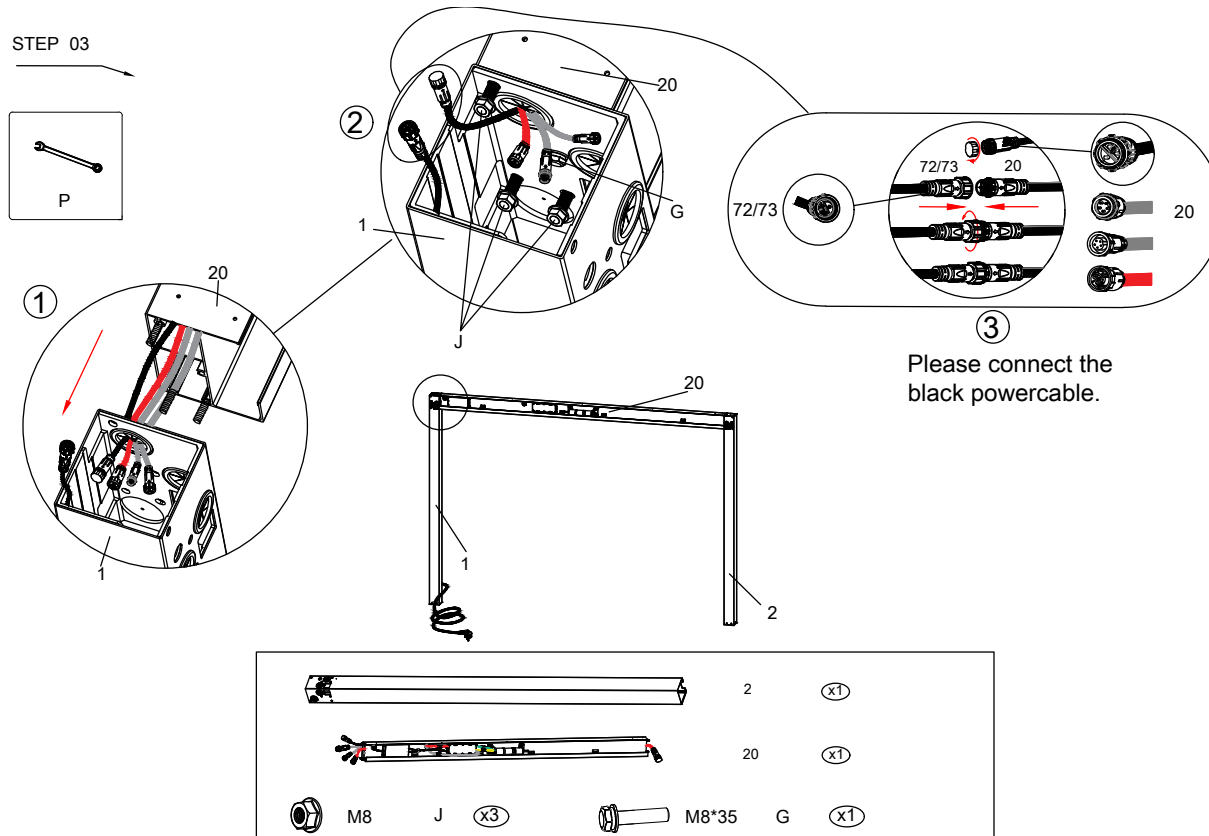
LUXE RETRACTABLE PERGOLA

3.95 X 3.65 X 2.5M



LUXE RETRACTABLE PERGOLA

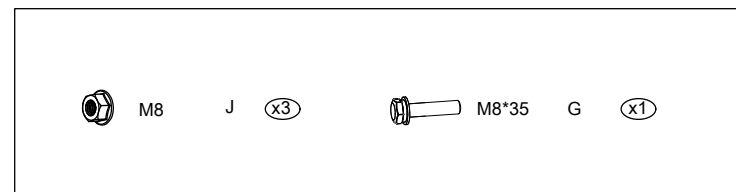
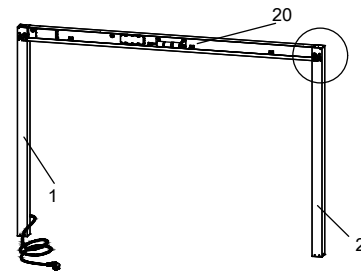
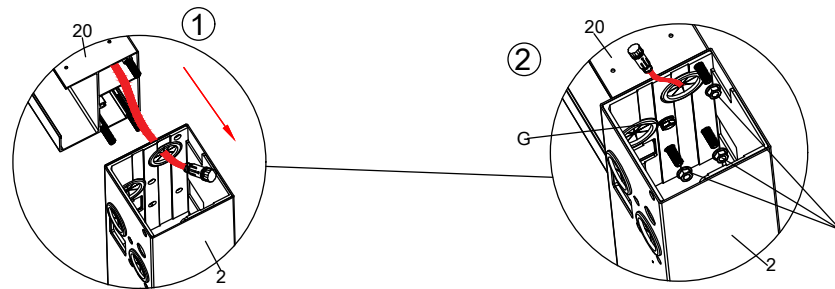
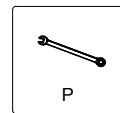
3.95 X 3.65 X 2.5M



LUXE RETRACTABLE PERGOLA

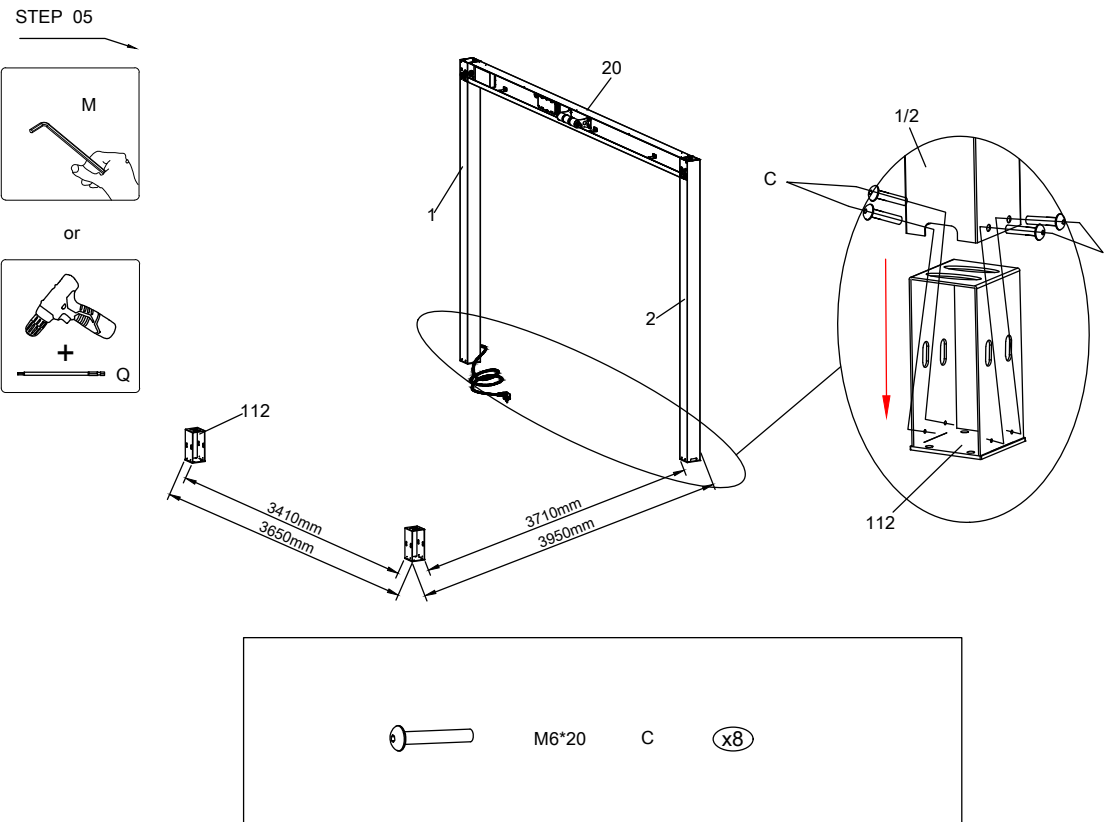
3.95 X 3.65 X 2.5M

STEP 04



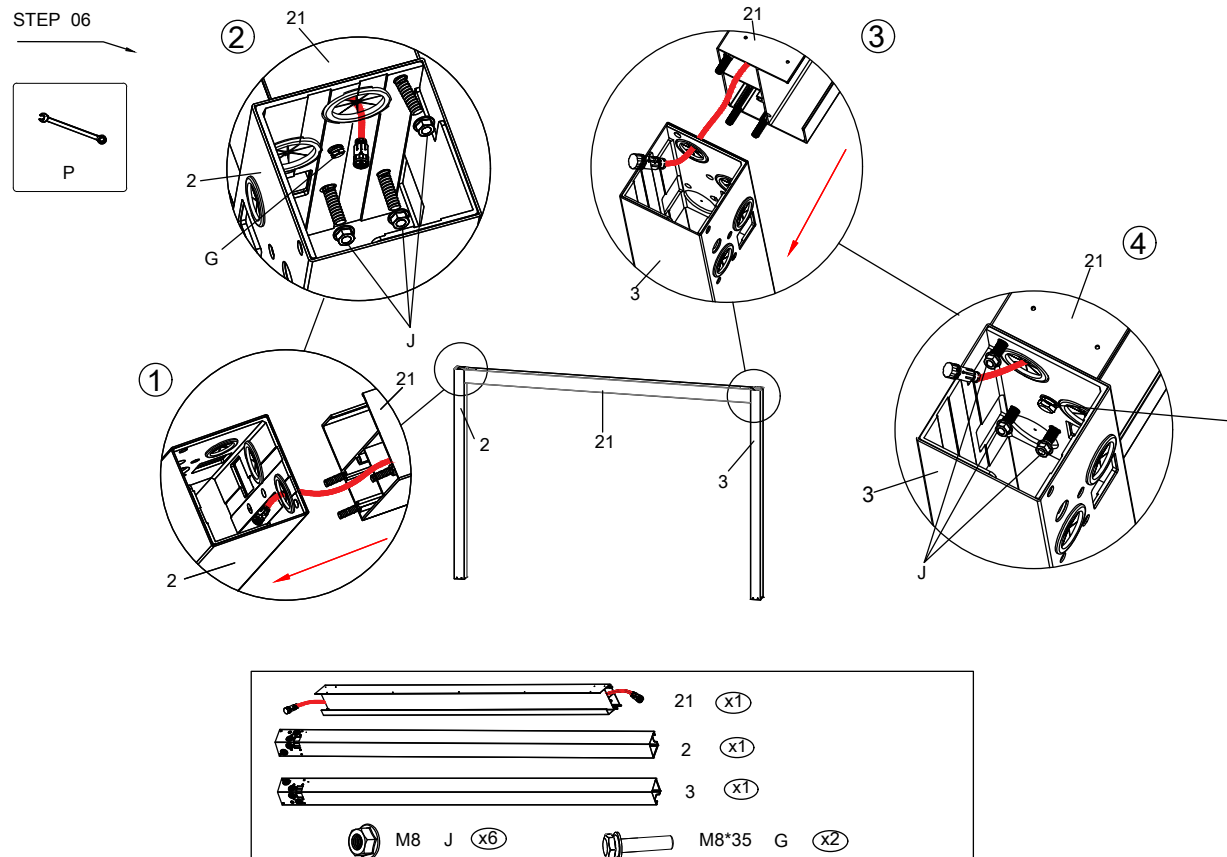
LUXE RETRACTABLE PERGOLA

3.95 X 3.65 X 2.5M



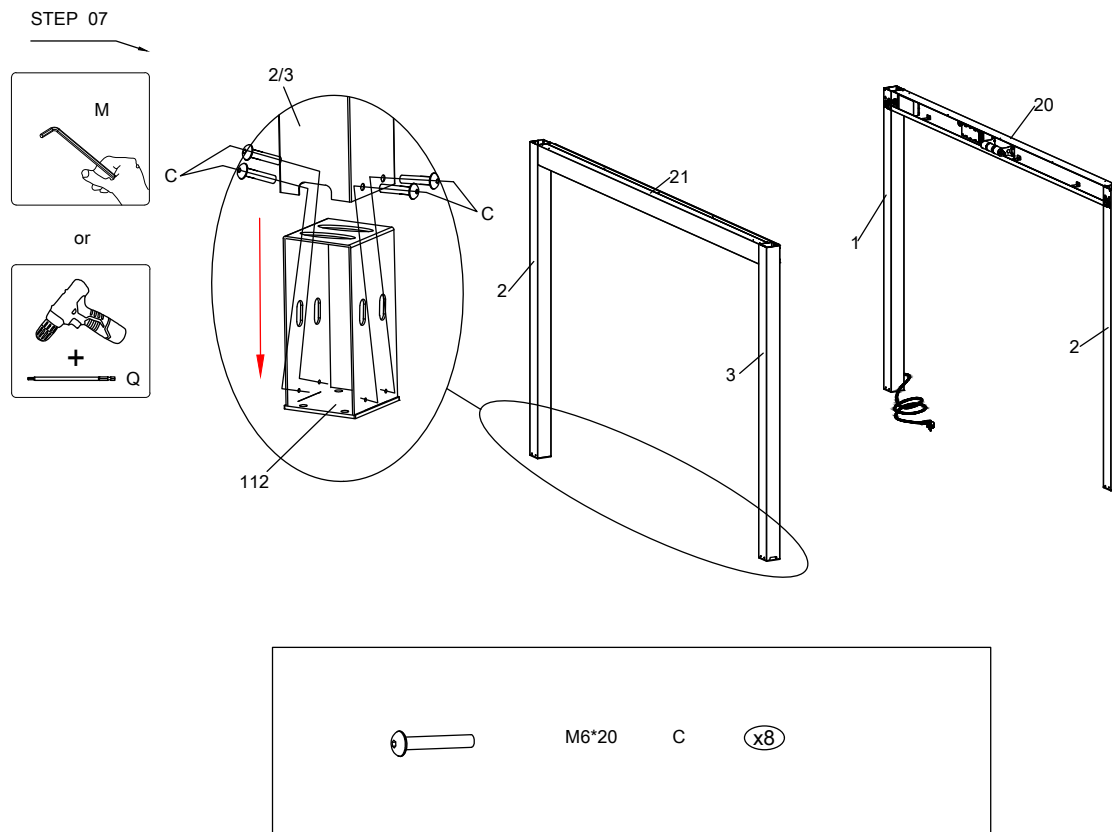
LUXE RETRACTABLE PERGOLA

3.95 X 3.65 X 2.5M



LUXE RETRACTABLE PERGOLA

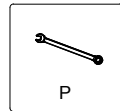
3.95 X 3.65 X 2.5M



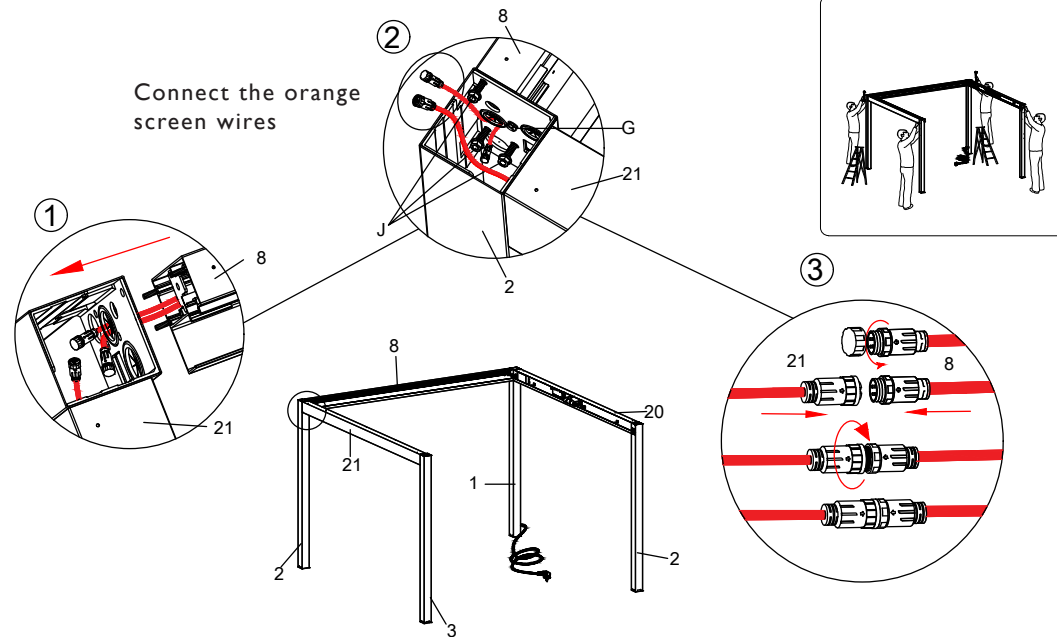
LUXE RETRACTABLE PERGOLA

3.95 X 3.65 X 2.5M

STEP 08



Connect the orange screen wires

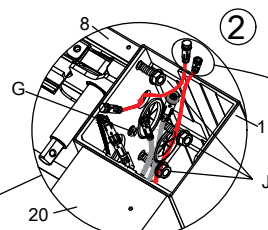
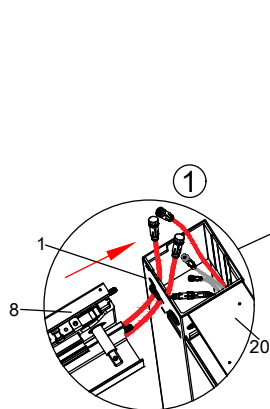
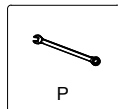


	8	(x1)
	M8	J (x3)
	M8*35	G (x1)

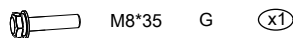
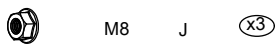
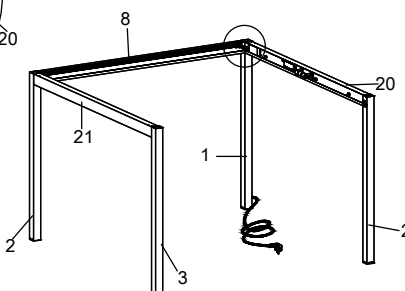
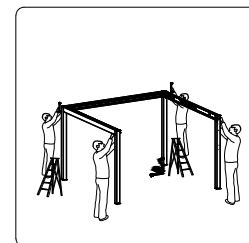
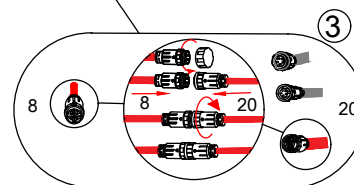
LUXE RETRACTABLE PERGOLA

3.95 X 3.65 X 2.5M

STEP 09

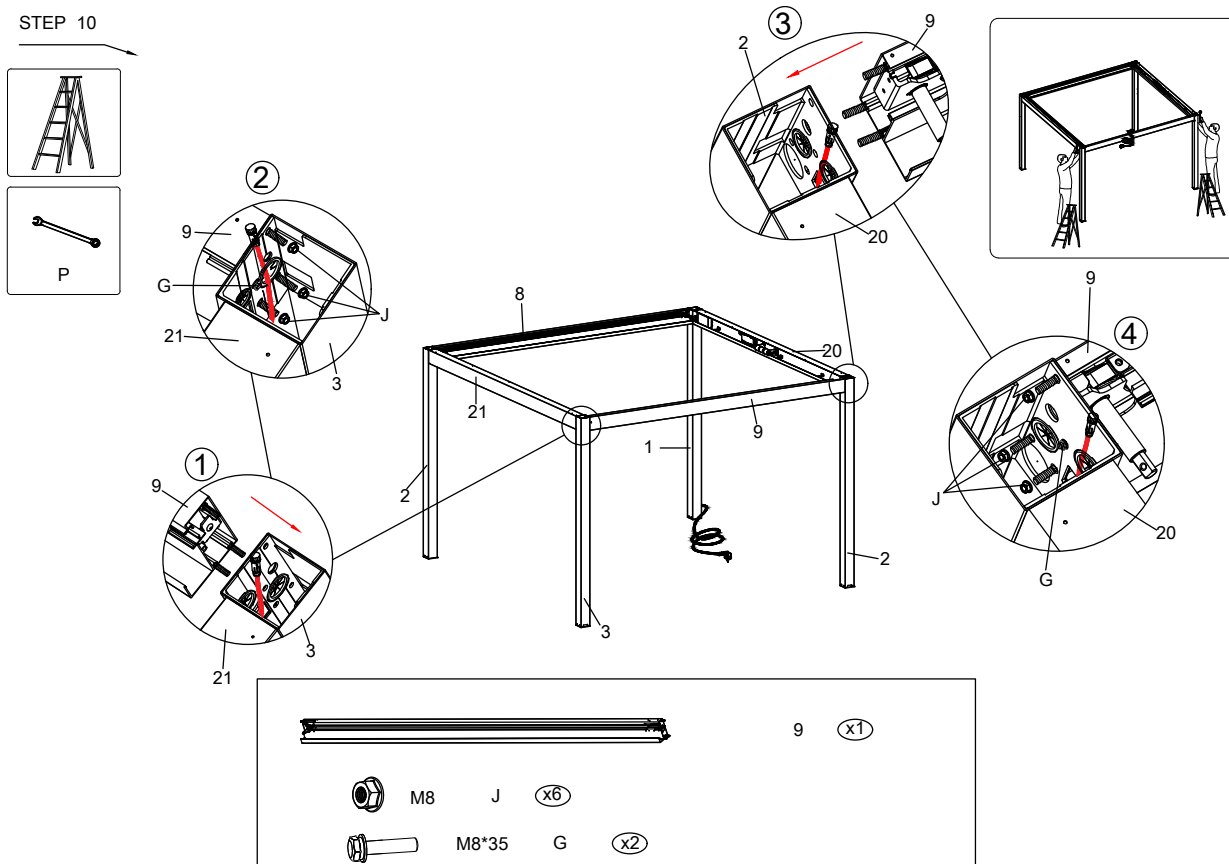


Connect the orange screen wires



LUXE RETRACTABLE PERGOLA

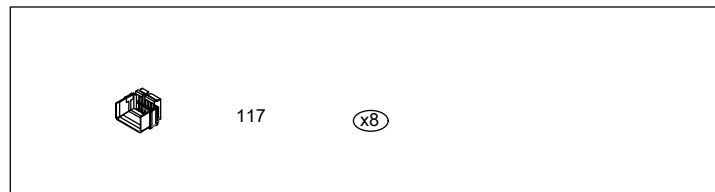
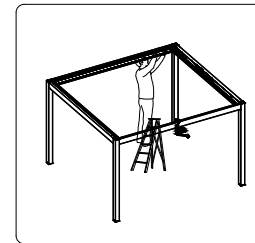
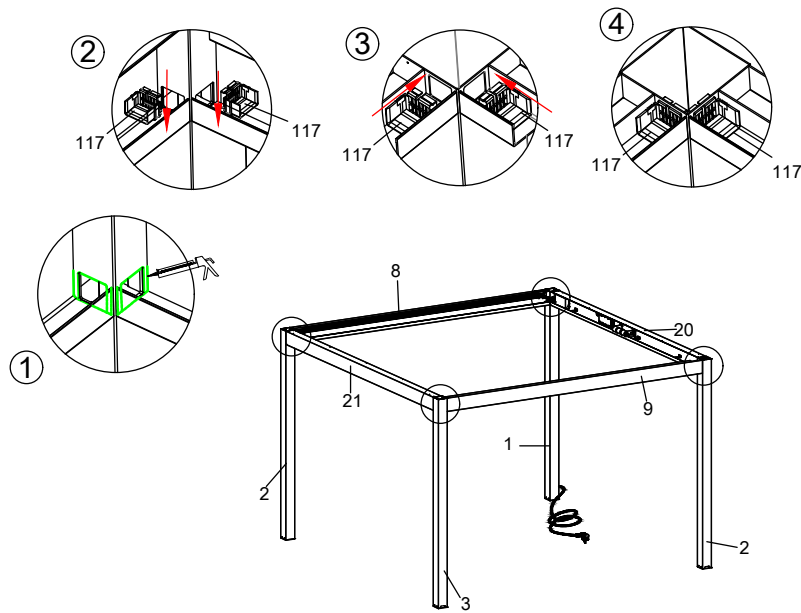
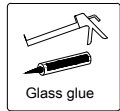
3.95 X 3.65 X 2.5M



LUXE RETRACTABLE PERGOLA

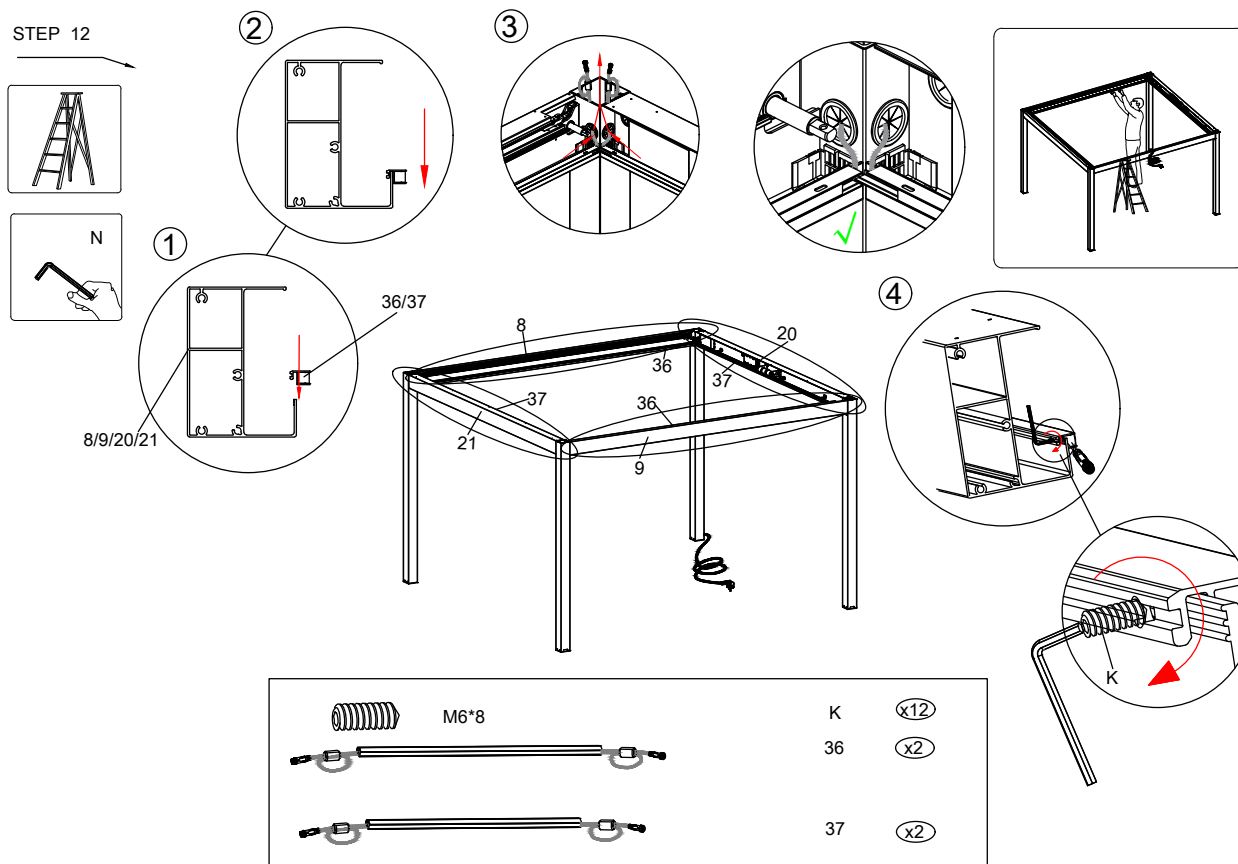
3.95 X 3.65 X 2.5M

STEP 11



LUXE RETRACTABLE PERGOLA

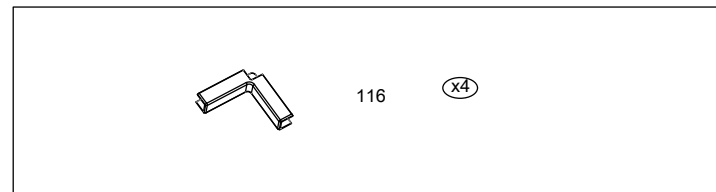
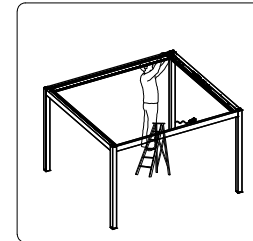
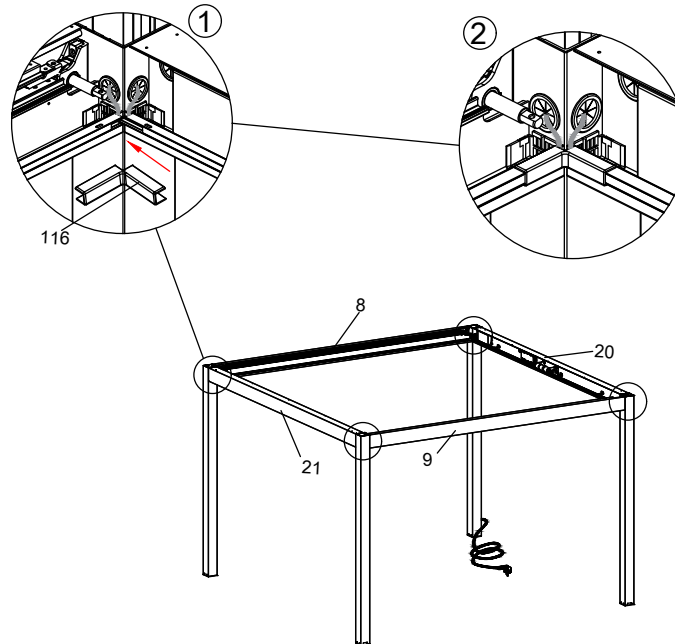
3.95 X 3.65 X 2.5M



LUXE RETRACTABLE PERGOLA

3.95 X 3.65 X 2.5M

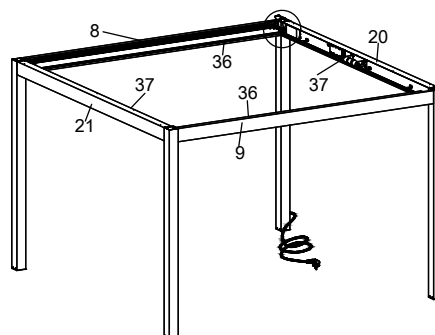
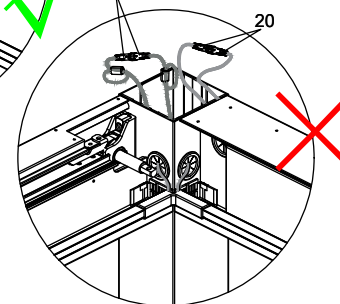
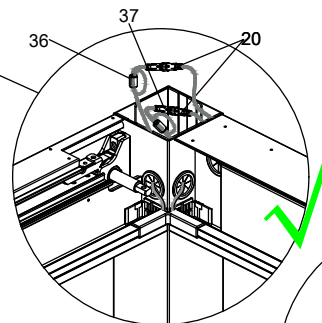
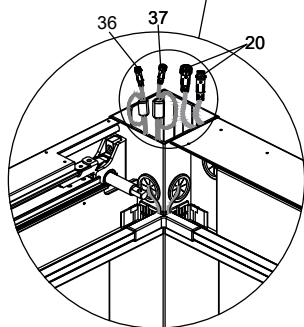
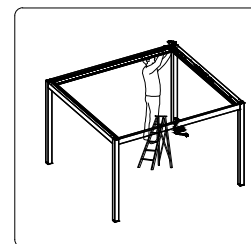
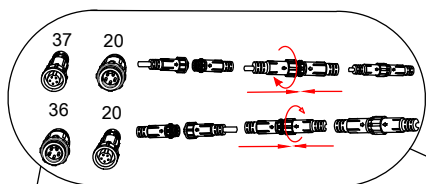
STEP 13



LUXE RETRACTABLE PERGOLA

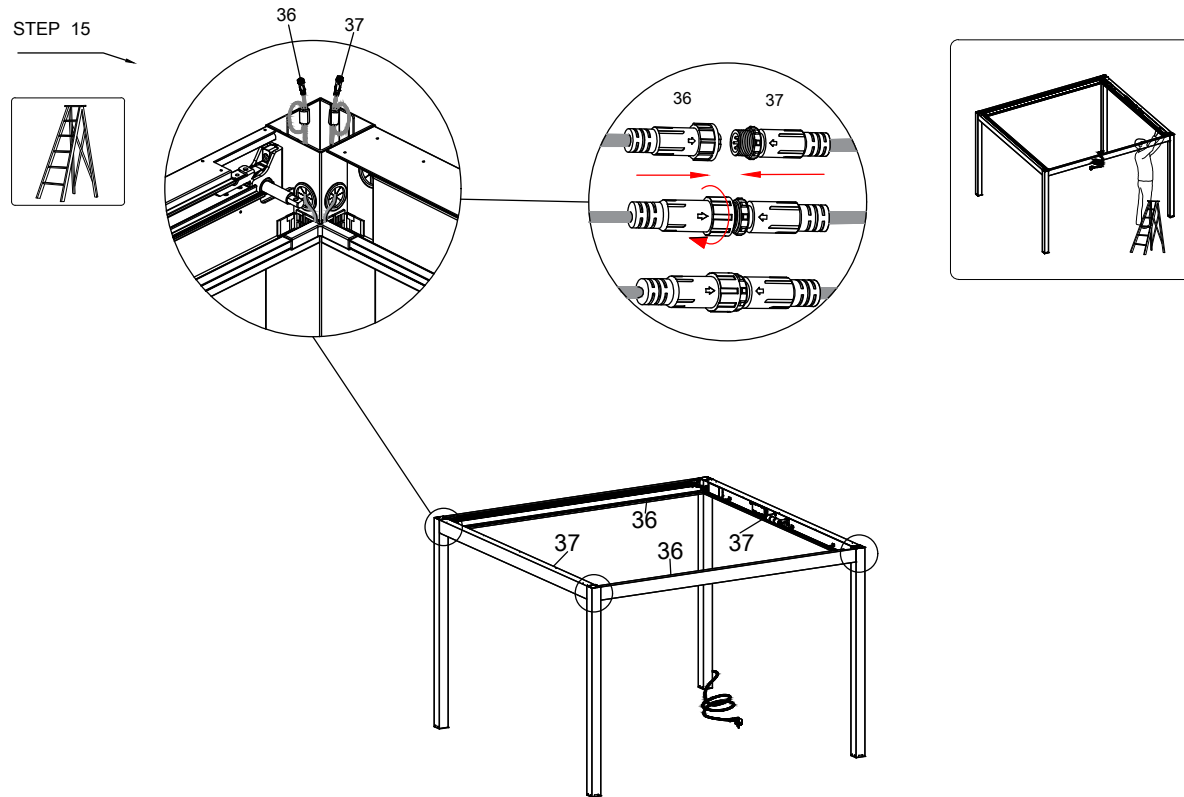
3.95 X 3.65 X 2.5M

STEP 14



LUXE RETRACTABLE PERGOLA

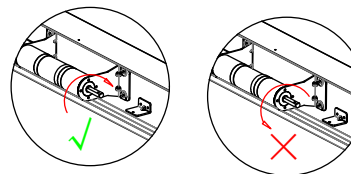
3.95 X 3.65 X 2.5M



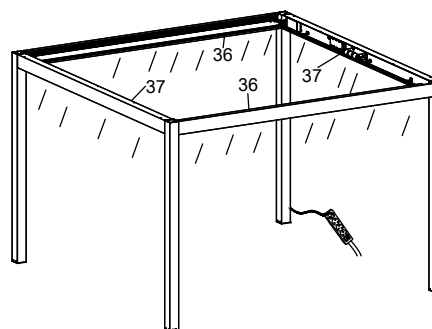
LUXE RETRACTABLE PERGOLA

3.95 X 3.65 X 2.5M

STEP 16



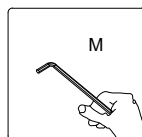
Please plug the power cord into the power socket. Please check if the LED light starts blinking and the motor starts turning. If the light doesn't work or the motor doesn't rotate in the direction as shown in the picture above, please check the previous step again. If the previous step is done correctly but it still doesn't work, please contact our service department.



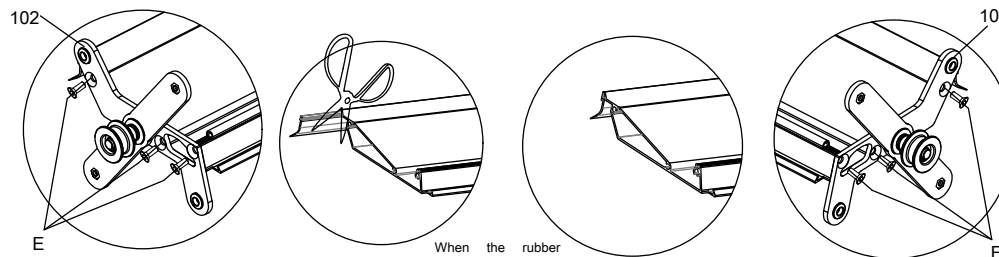
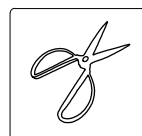
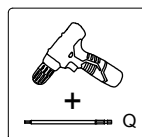
LUXE RETRACTABLE PERGOLA

3.95 X 3.65 X 2.5M

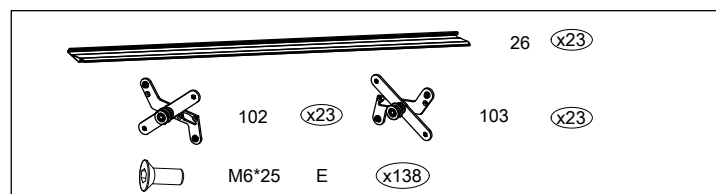
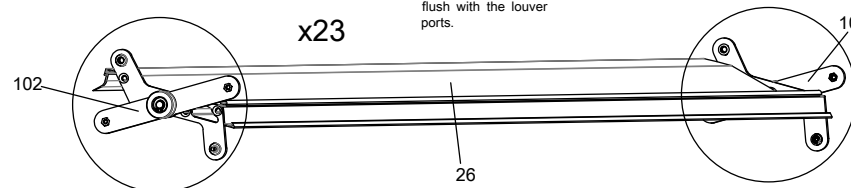
STEP 17



or

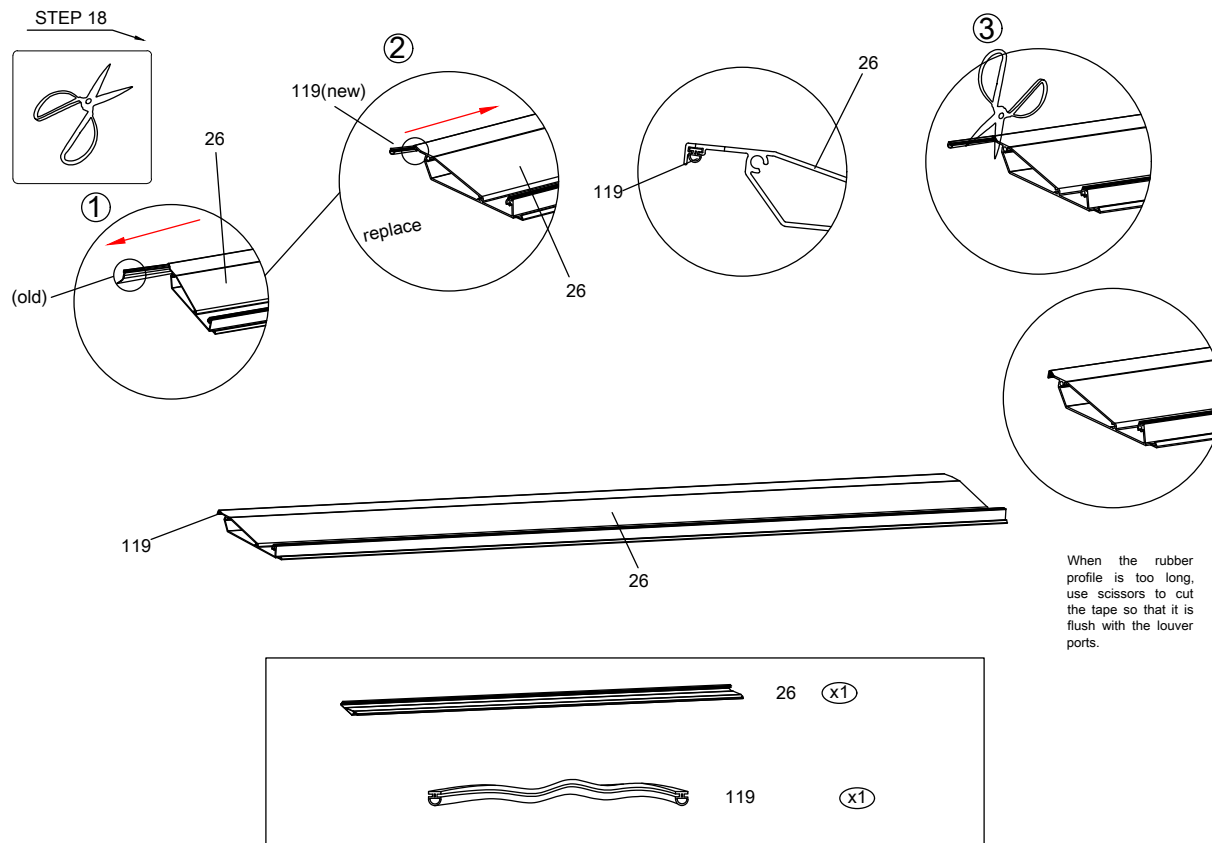


When the rubber profile is too long, use scissors to cut the tape so that it is flush with the louver ports.



LUXE RETRACTABLE PERGOLA

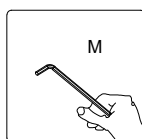
3.95 X 3.65 X 2.5M



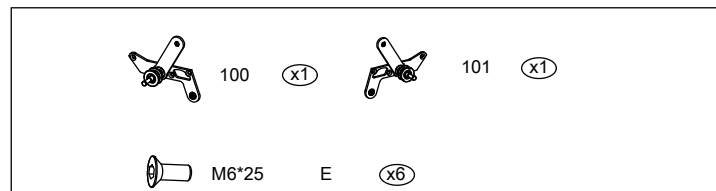
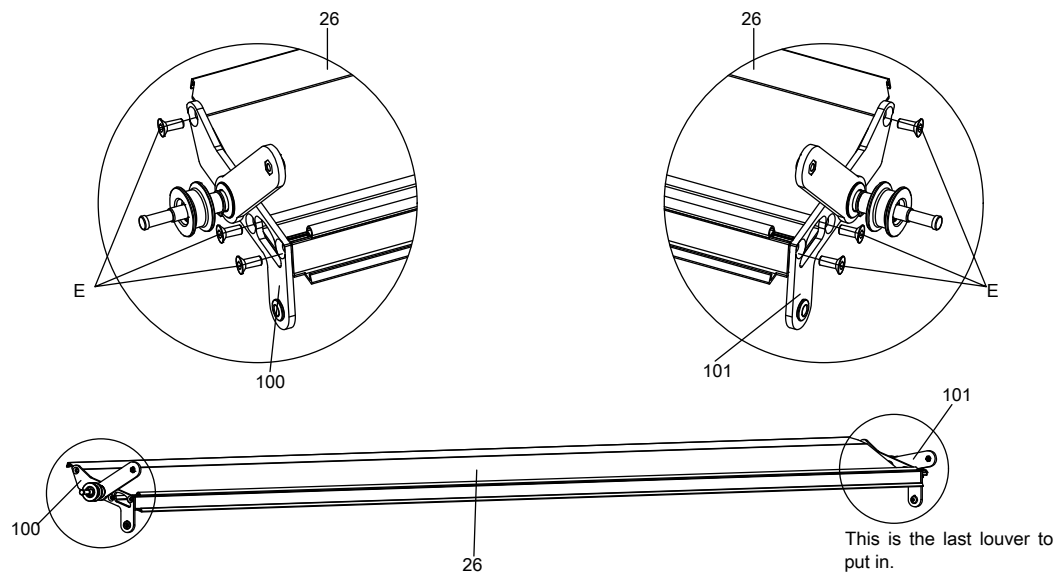
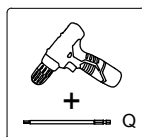
LUXE RETRACTABLE PERGOLA

3.95 X 3.65 X 2.5M

STEP 19

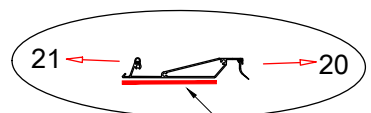


or

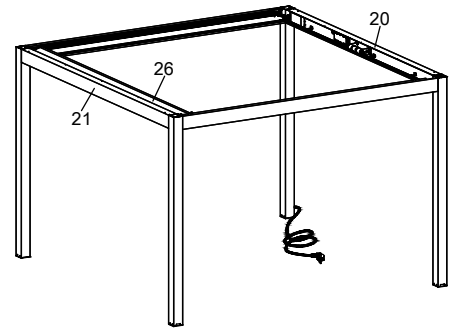
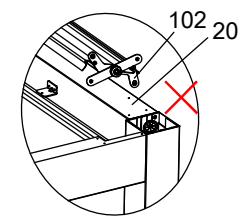
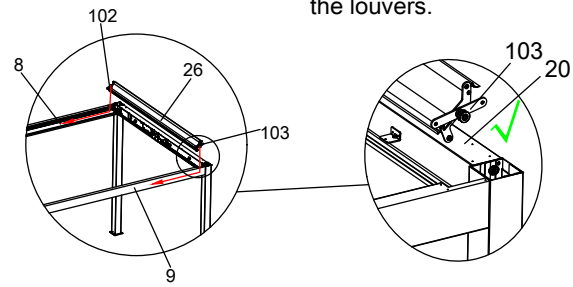
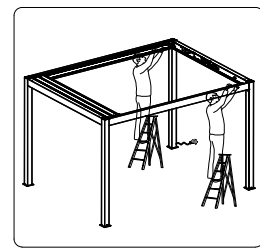


LUXE RETRACTABLE PERGOLA

3.95 X 3.65 X 2.5M

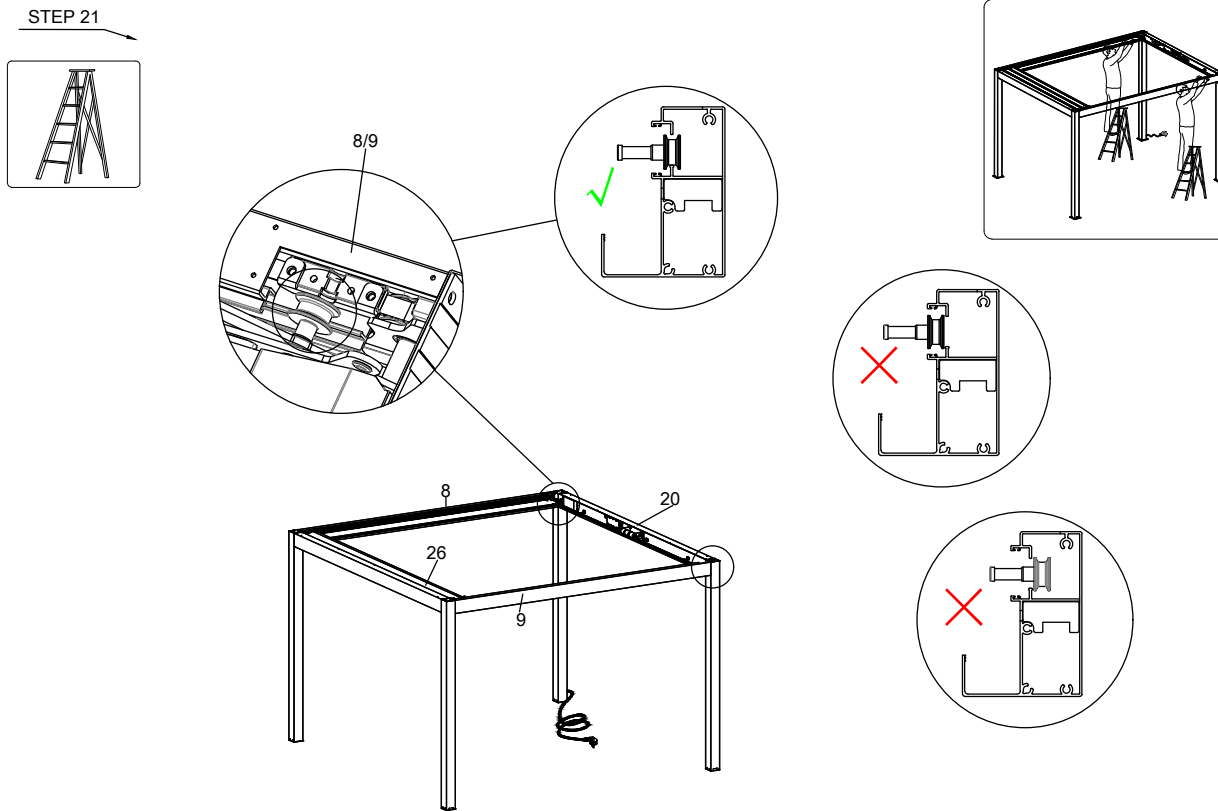


Please make sure this side is facing down when you assemble the louvers.



LUXE RETRACTABLE PERGOLA

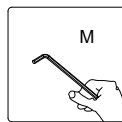
3.95 X 3.65 X 2.5M



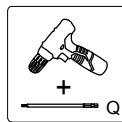
LUXE RETRACTABLE PERGOLA

3.95 X 3.65 X 2.5M

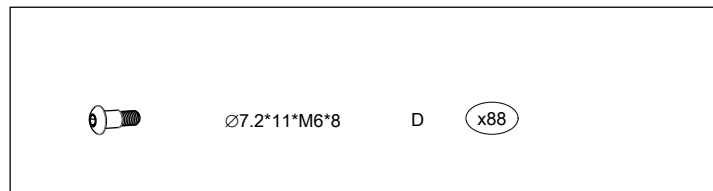
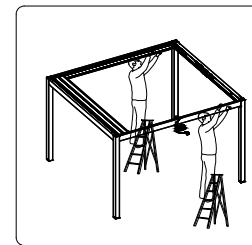
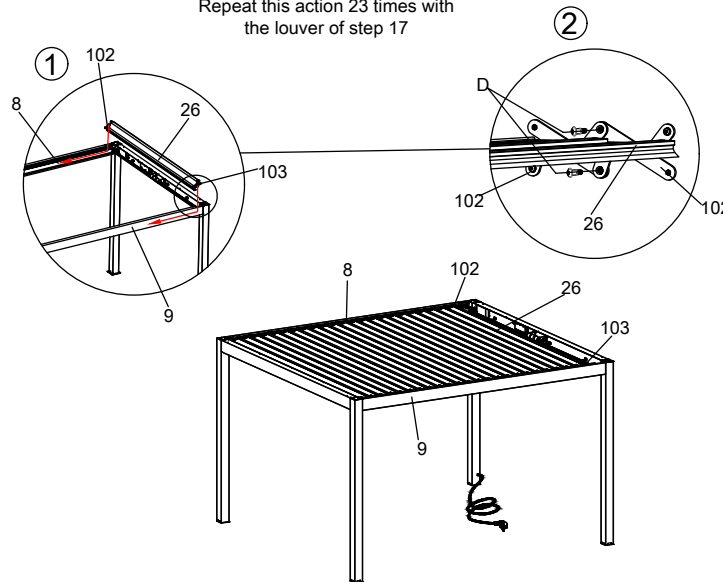
STEP 22



or

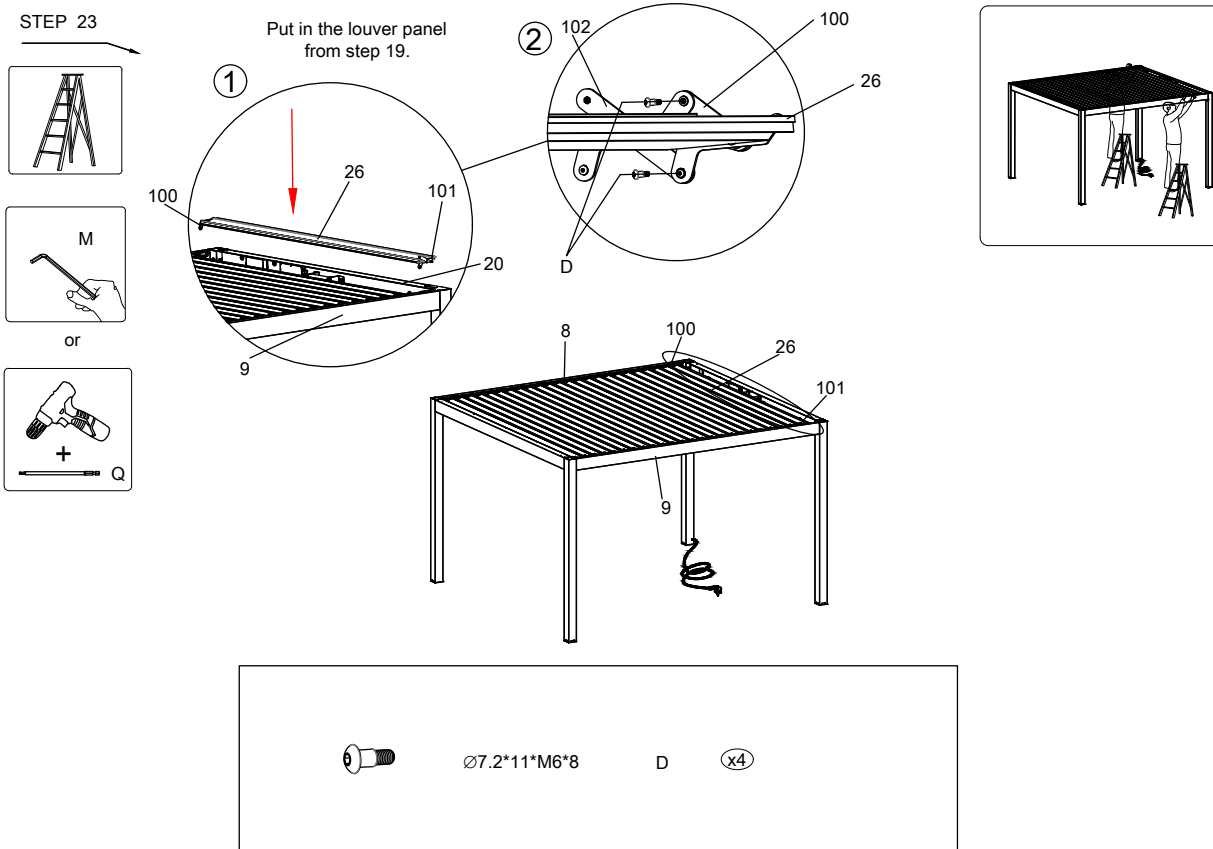


Repeat this action 23 times with the louver of step 17



LUXE RETRACTABLE PERGOLA

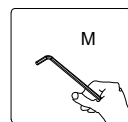
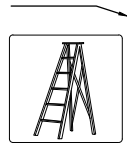
3.95 X 3.65 X 2.5M



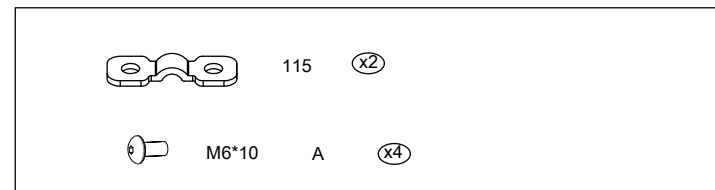
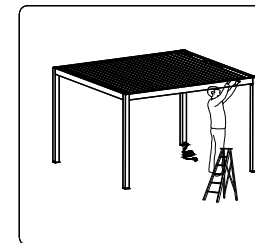
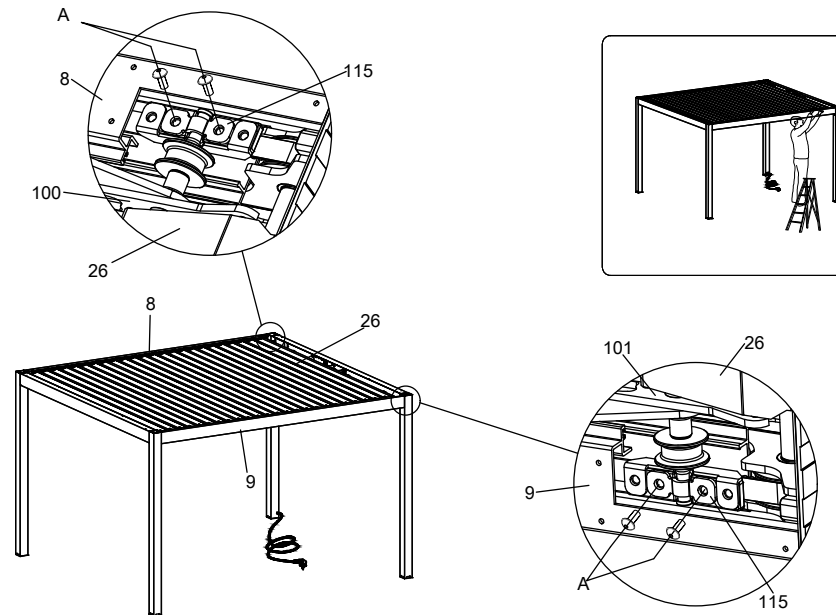
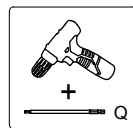
LUXE RETRACTABLE PERGOLA

3.95 X 3.65 X 2.5M

STEP 24

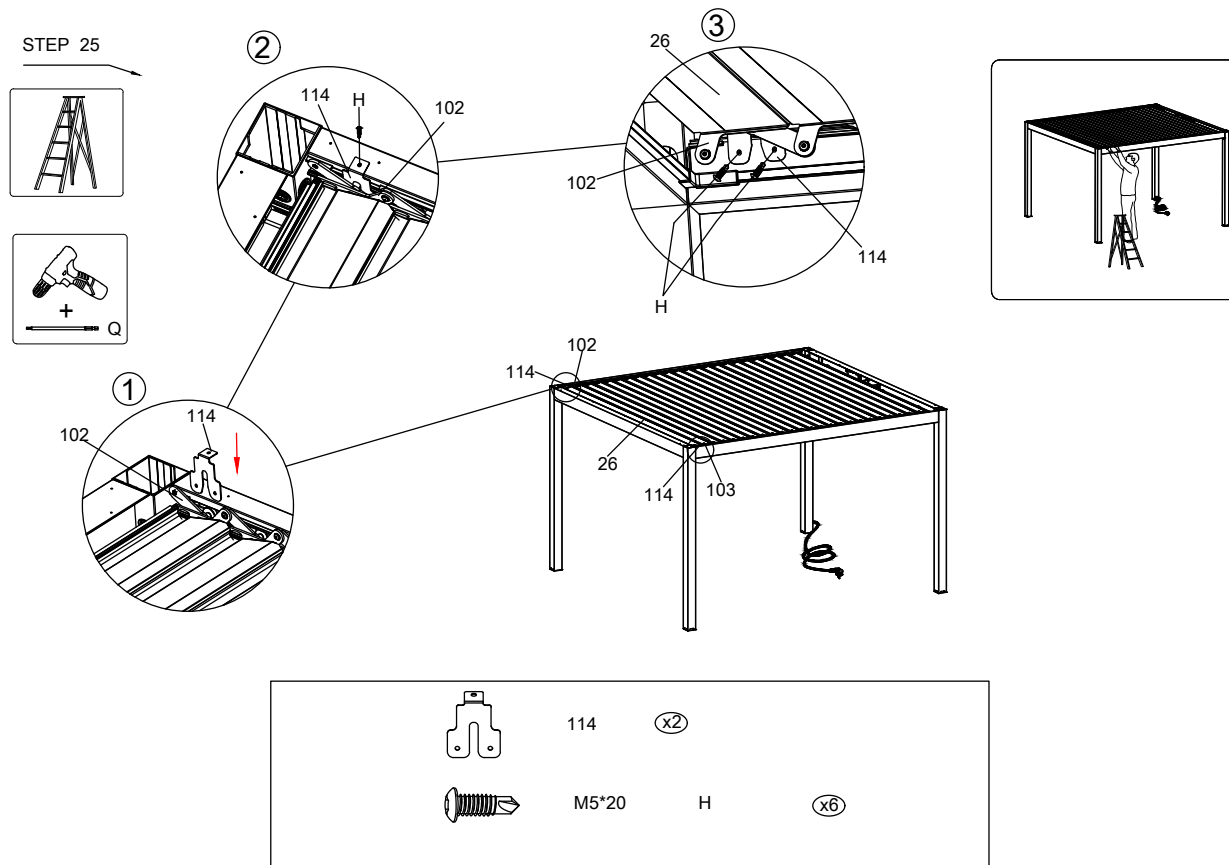


or



LUXE RETRACTABLE PERGOLA

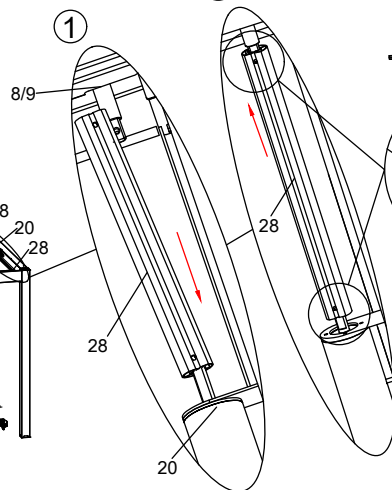
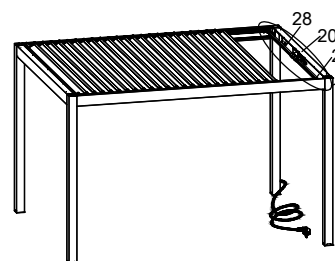
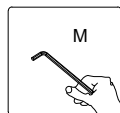
3.95 X 3.65 X 2.5M



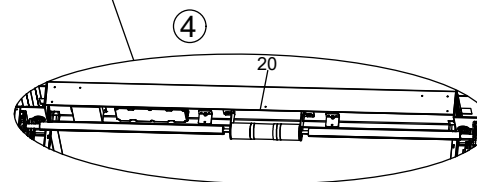
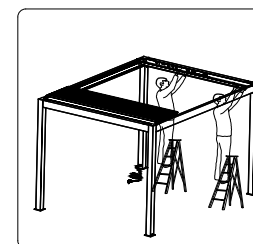
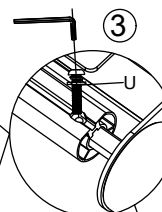
LUXE RETRACTABLE PERGOLA

3.95 X 3.65 X 2.5M

STEP 26



This step need to be done two times on both ends.



M6*25

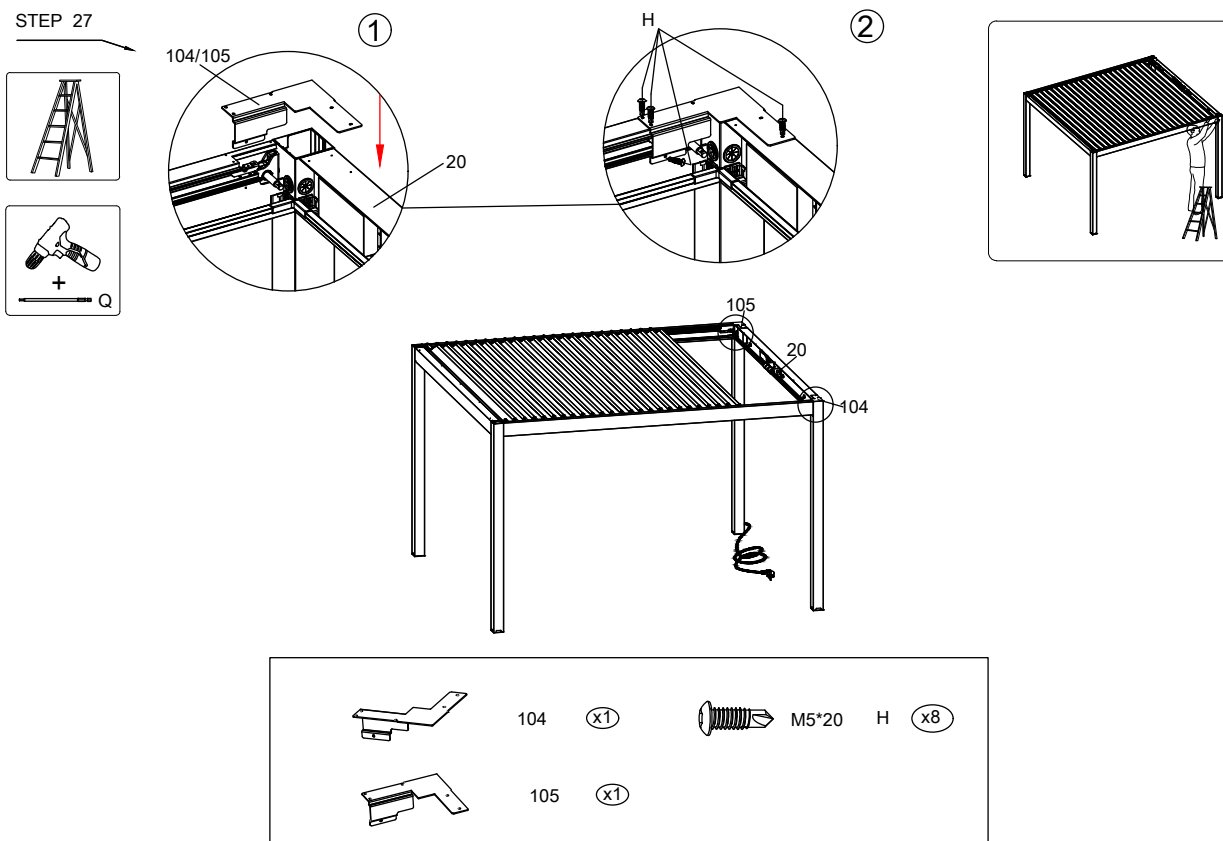
U (x4)



28 (x2)

LUXE RETRACTABLE PERGOLA

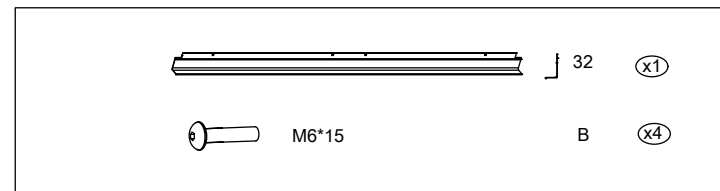
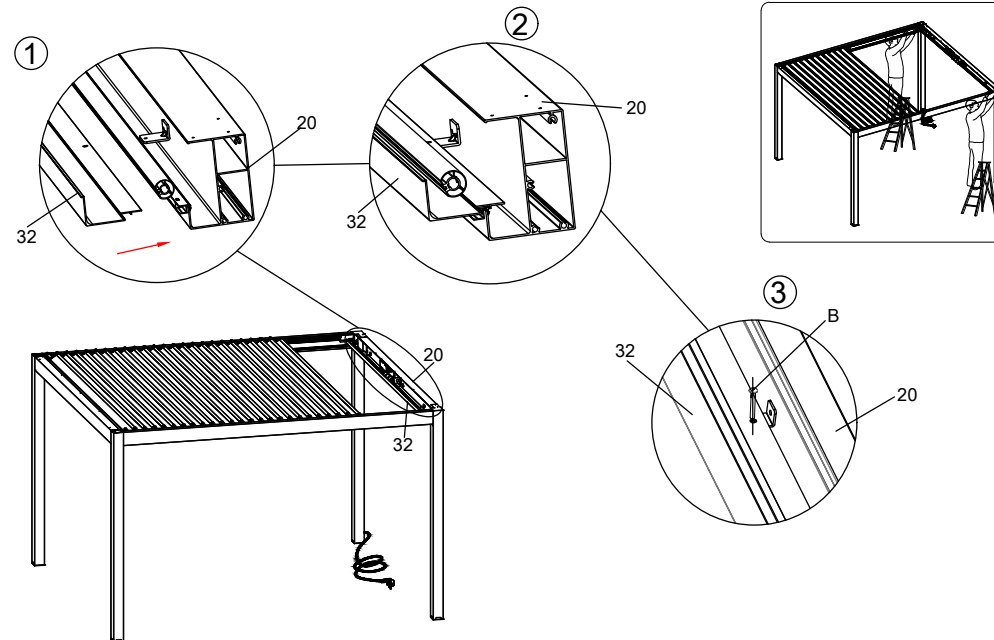
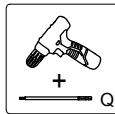
3.95 X 3.65 X 2.5M



LUXE RETRACTABLE PERGOLA

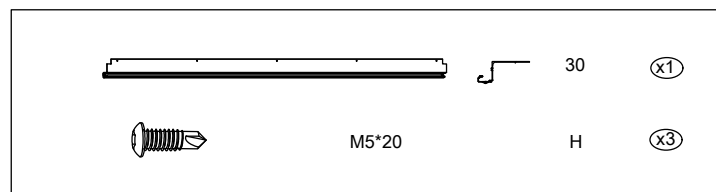
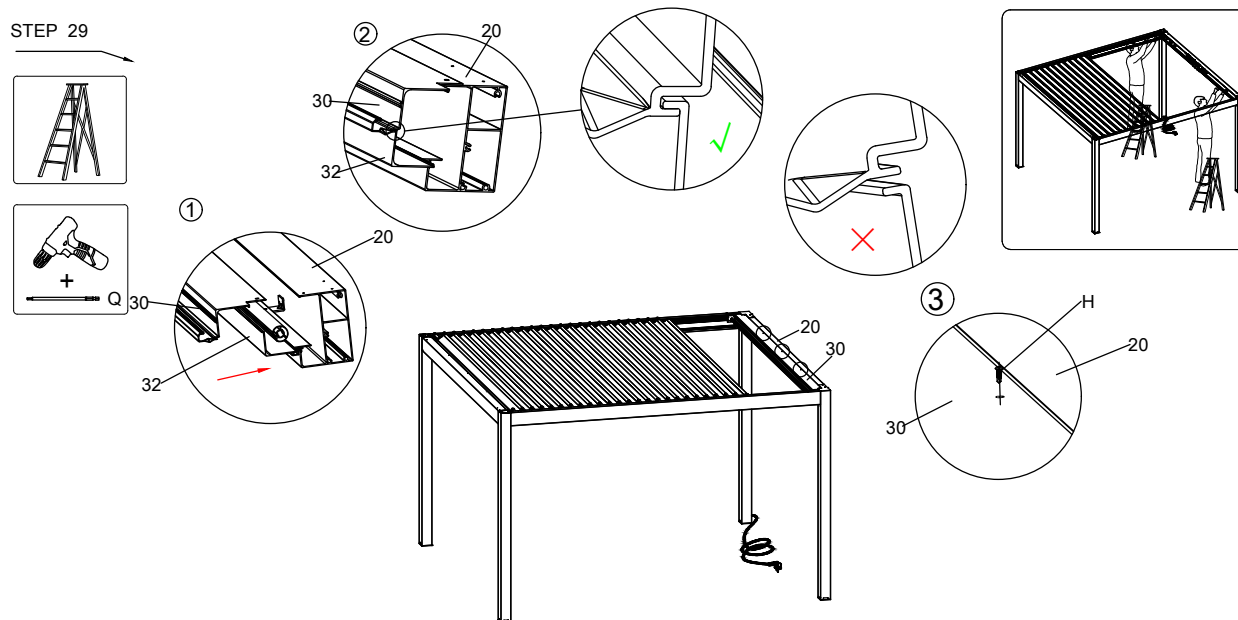
3.95 X 3.65 X 2.5M

STEP 28



LUXE RETRACTABLE PERGOLA

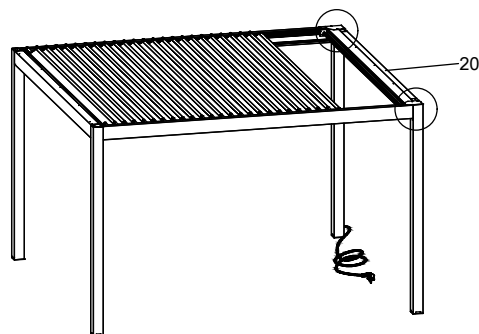
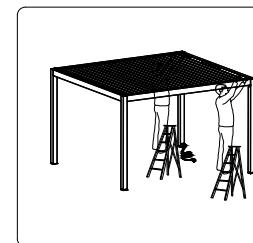
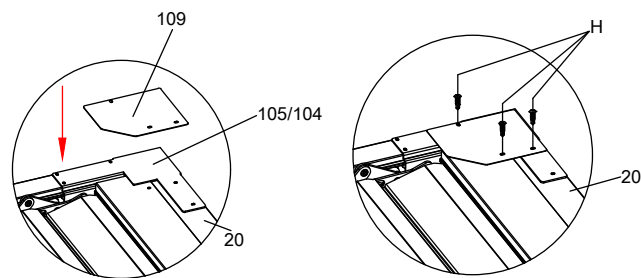
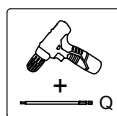
3.95 X 3.65 X 2.5M





LUXE RETRACTABLE PERGOLA

3.95 X 3.65 X 2.5M

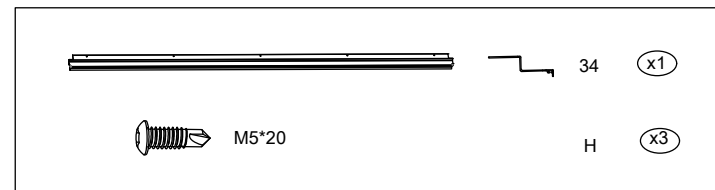
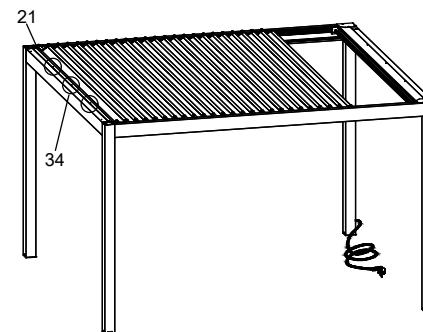
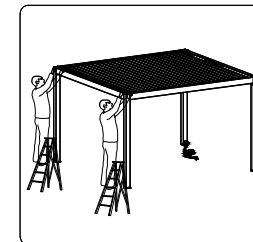
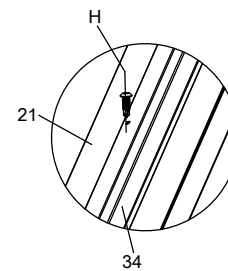
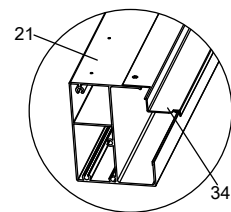
STEP 30



	109	(x2)
	M5*20 H	(x6)

LUXE RETRACTABLE PERGOLA

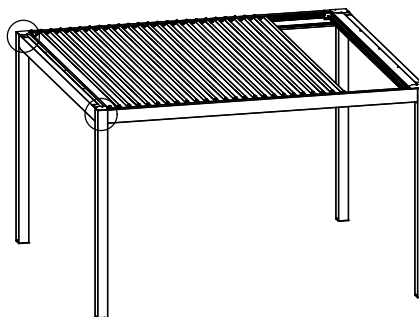
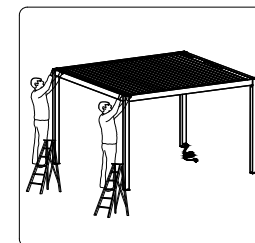
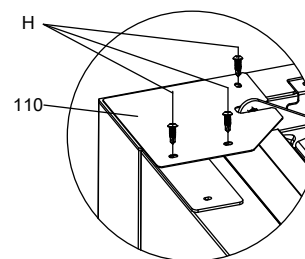
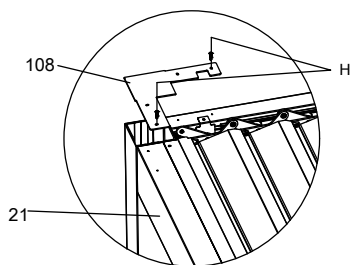
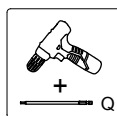
3.95 X 3.65 X 2.5M



LUXE RETRACTABLE PERGOLA

3.95 X 3.65 X 2.5M

STEP 32



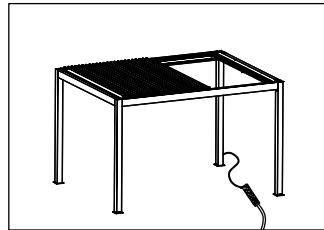
	110	(x2)
	108	(x2)
	M5*20	H (x10)

LUXE RETRACTABLE PERGOLA

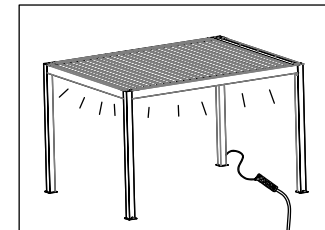
3.95 X 3.65 X 2.5M

Electric control instruction

1. Remote control for code setting



plug in



When the LED light starts blink please press ① on the remote within 5 seconds and hold it

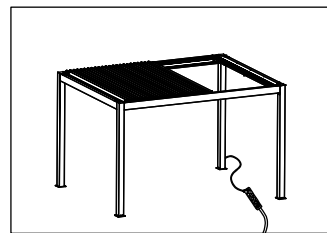
When the LED light stop blinking and keep warm light, release button ① . The alignment is now done successfully.

The code only needs to be operated when using the product for, the first time, or after replacing the remote control. (The connected APP will be deleted during the code alignment)

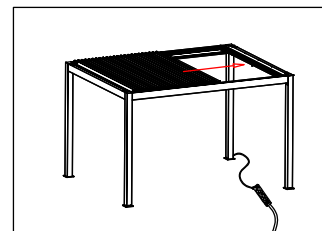
LUXE RETRACTABLE PERGOLA

3.95 X 3.65 X 2.5M

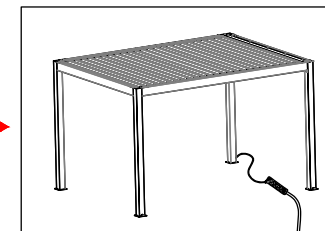
2. In case of unplugging the power after configuration, reset the gazebo following the steps below.



plug in



wait for reset



when the louver stops moving, the reset is complete

LUXE RETRACTABLE PERGOLA

3.95 X 3.65 X 2.5M

3.Function operation instruction

a.Light



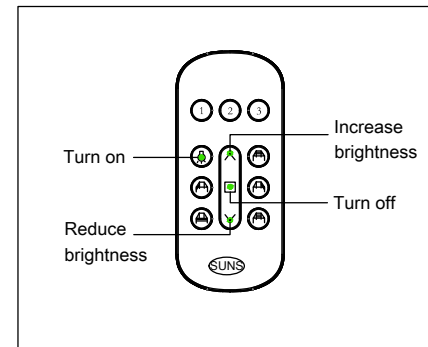
This button is used to adjust the light and change the light colour.



Turn off



Adjust the brightness of the light (multi-gear adjustable)



LUXE RETRACTABLE PERGOLA

3.95 X 3.65 X 2.5M

b. Louvre



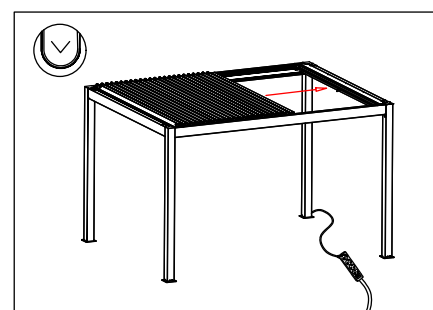
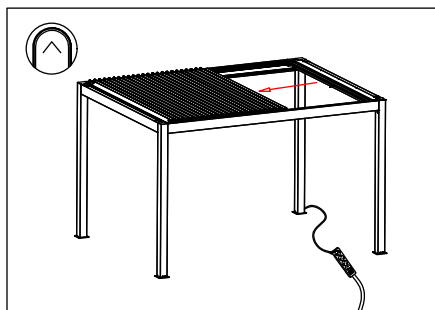
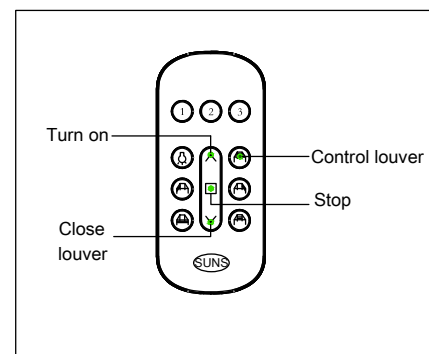
Press this button to control the louvers



Use these two buttons to control the louvers

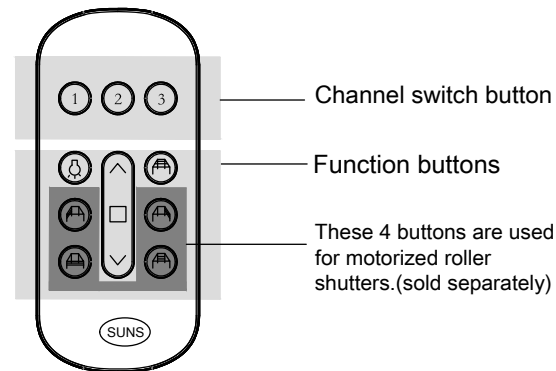


Switch off



LUXE RETRACTABLE PERGOLA

3.95 X 3.65 X 2.5M



The channel switching buttons can be paired with different gazebos if you have purchased more than one

Functions are explained on the previous pages
If you want to use a gazebo paired with the channel 2 button, you must press 2 before using the function buttons

WARNING

- 1) Do not ingest battery, Chemical Burn Hazard.
- 2) This product contains a button cell battery. If the button cell battery is swallowed, it can cause severe internal burns in just 2 hours and can lead to death.
- 3) Keep new and used batteries away from children. If the battery compartment doesn't close securely, stop using the product and keep it away from children. If you think batteries might have been swallowed or placed inside any part of the body, seek immediate medical attention.

LUXE RETRACTABLE PERGOLA

3.95 X 3.65 X 2.5M



**THANK YOU FOR PURCHASING
A SUNS LIFESTYLE PERGOLA**

Please read on for safety warnings

LUXE RETRACTABLE PERGOLA

3.95 X 3.65 X 2.5M



WARNING

- 1)The drive shall be disconnected from its power source during cleaning, maintenance and when replacing parts.
WARNING: Can't change the wiring and procedures of the product without the permission of the manufacturer or distributor.
- 2)It is not recommended to install in windy areas or areas with frequent power outages.
- 3)This appliance can be used by children aged from 8 years and above. If they have been given supervision or instruction concerning use of the appliance in a safe way and understand the hazards involved. Children shall not play with the appliance. Cleaning and user maintenance shall not be made by children without supervision.

Children shall not be near the appliance during the installation phase. Do not allow children to play with fixed controls. Keep remote controls away from children;
Frequently examine the installation for imbalance and signs of wear or damage to cables;
-Do not use if repair or adjustment is necessary;
-Do not operate when maintenance, such as window cleaning, is being carried out in the vicinity.
-Disconnect the drive from the supply or switch off the automatic controls when maintenance, such as window cleaning, is being carried out in the vicinity.

WARNING: Important safety instructions. Follow all instructions since incorrect installation can lead to severe injury.



WARNING

- Although the louvred roof system is designed as a rain protection system, it is not comparable with a closed conservatory system. Utensils used under the louvred roof must be suitable for outdoor use!
- Dripping rain and condensation may form on the undersides of louvres, frame profiles and posts!
 - After a rain shower, water standing on the louvres can run of onto people and objects when they are opened!
 - In case of larger quantities of water, the gutter may overflow.
 - Soiled rainwater drains no longer drain even small amounts of rainwater. Rainwater then runs into the interior of the system.
 - Resistance to wind loads is class 6.



LUXE RETRACTABLE PERGOLA

3.95 X 3.65 X 2.5M

DECLARATION OF CONFORMITY

Sunsit B.V.

De Ring 1 5261 LM Vught The Netherlands

Declare that the product

Description: Gazebo with elec. retractable roof include LED light, include electric curtain cable

Function: Electric retractable roof gazebo

Mode of Operation: WLAN 802.11b/g/n(20M)

Maximum RF output power : 19.87 dBm

Mode of Operation : BLE

Maximum RF output power : 8.42 dBm

SRD: Operating frequency range(s) :433.92MHz

Maximum RF output power: 13.4 dBm

Applicable EC Directives:

Machinery Directive 2006/42/EC

EN 13659 : 2015

EMC Directive 2014/30/EU

EN IEC 61000-6-1:2019, EN IEC 61000-6-3:2021, EN IEC

61000-3-2:2019+A1:2021

EN 61000-3-3:2013+A1:2019+A2:2021

RED Directive

EN300220, EN301489, EN62479

Radio equipment directive 2014/53 /EU

Used Standards:

EN 60335 1:2012+A11:2014+A13:2017+A1:2019+A14:2019

+A2:2019+A15:2021

EN 60335 2 97:2006+A11:2008+A2:2010+A12:2015

EN 62233:2008

IEC 62471: 2006 EN 62471:2008

IEC TR 62778:2014

RoHS: 2011/65/EU

(EU) 2015/863

The person authorized to compile the technical file. Name: Patrick van Rhienen

Company: Sunsit B.V.

Address: No. De Ring 1 5261 LM Vught The Netherlands



2024/1/20

Patrick van Rhienen

De Ring 1 5261 LM Vught The Netherlands