

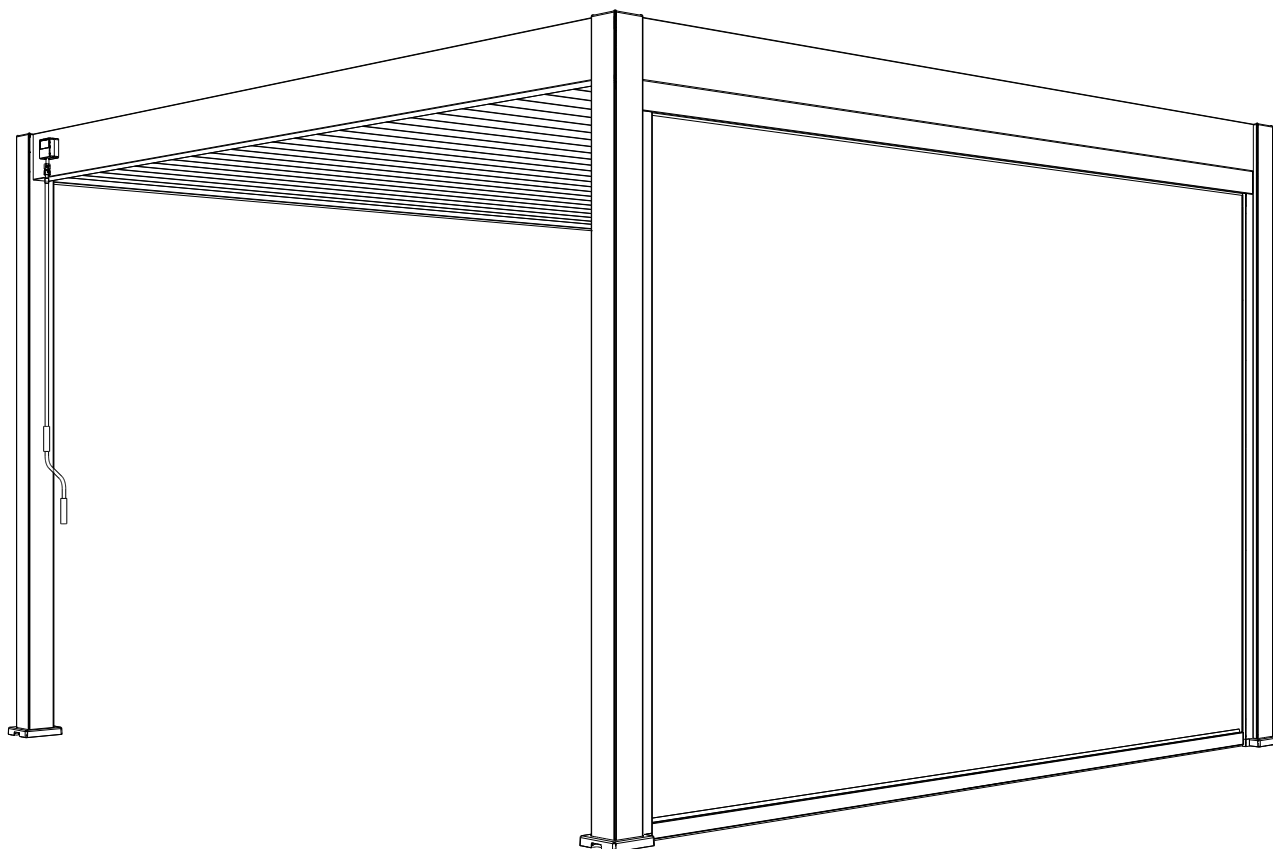


Hi,
I am your
instruction
manual.



Nice to meet you

montage instructies
montageanleitung
instructions de montage
instrucciones de montaje



These instructions have to be saved during the whole product life cycle.
We advise you to read these very carefully before proceeding to the assembly.
The user will be reliable for any damages or injuries caused due to incorrect or improper installation.

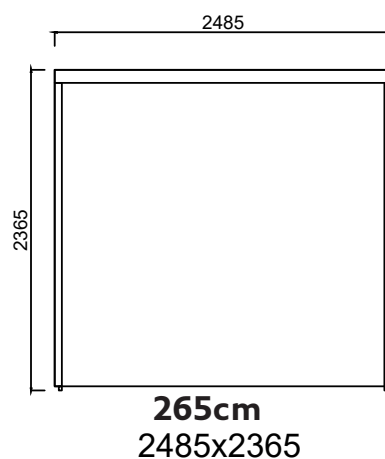
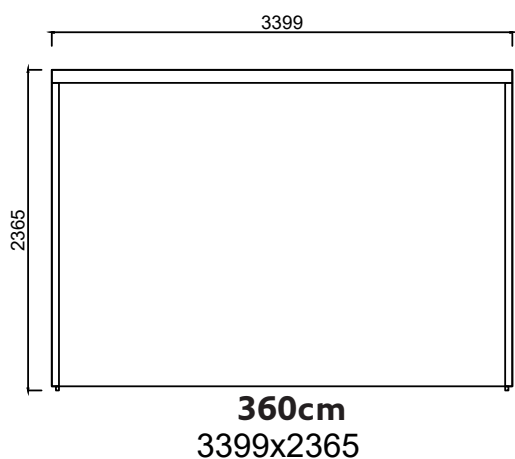
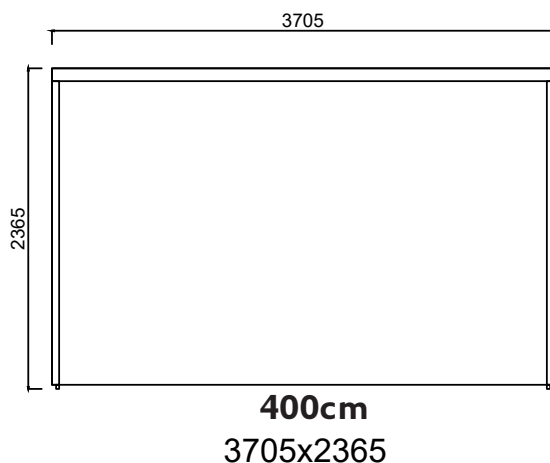
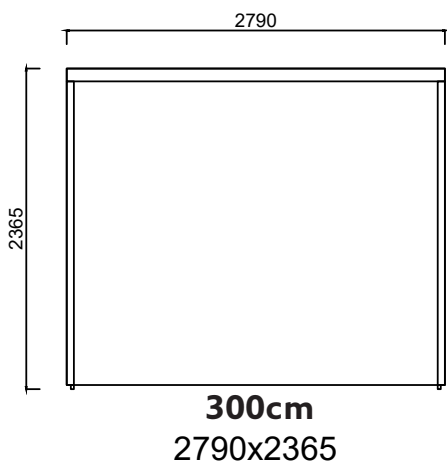


Sharing the
sun together

Nice to meet you

montage instructies
montageanleitung
instructions de montage
instrucciones de montaje

FOOTING MEASUREMENT (dimensions in mm)

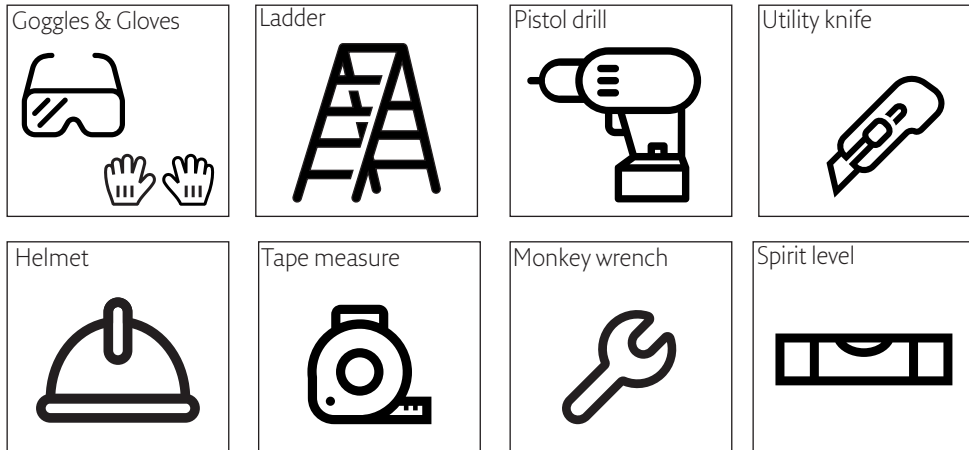


Sharing the
sun together

Nice to meet you

montage instructies
montageanleitung
instructions de montage
instrucciones de montaje

NECESSARY TOOLS AND SAFETY GEAR(NOT SUPPLIED)



PARTS LISTS (PER CARTON)

Before proceeding with the assembly of your louvered pergola, it is necessary to check that all parts listed are supplied and not damaged.

Any missing part must be reported within 10 days of delivery.

You can either go through your local outlet store or make the request directly on our website.

Do not discard the packaging without ensuring that the product is functioning properly.


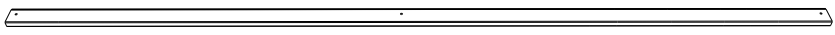


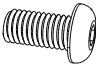

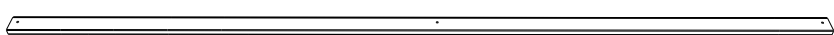


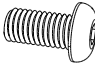
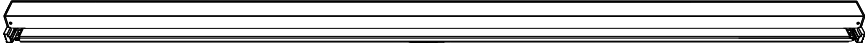


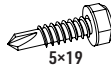

Sharing the
sun together

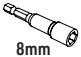
Nice to meet you

montage instructies
montageanleitung
instructions de montage
instrucciones de montaje

PARTS LISTS (PER CARTON)

Reference	Parts	Quantity
A		1
	A-1 	1
	A-2 	1
	A-3 	1
	A-4 	3
B		1
	B-1 	1
	B-2 	1
	B-3 	1
	B-4 	3
C-1		1

Reference	Parts	Quantity
K1	 5x19	8
K2		1

Reference	Parts	Quantity
K3	 8mm	1



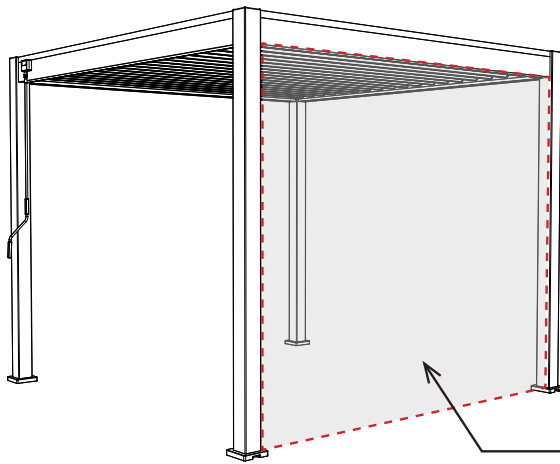
Sharing the
sun together

Nice to meet you

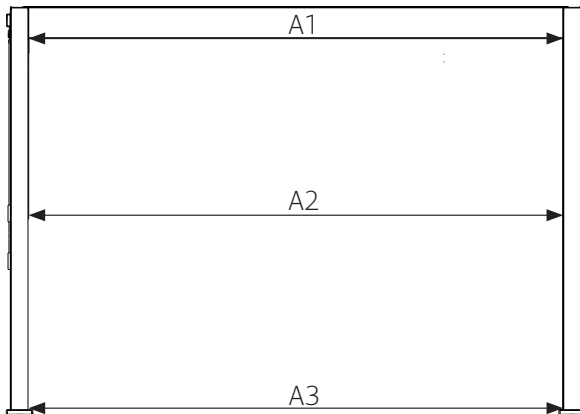
Step 1

montage instructies
montageanleitung
instructions de montage
instrucciones de montaje

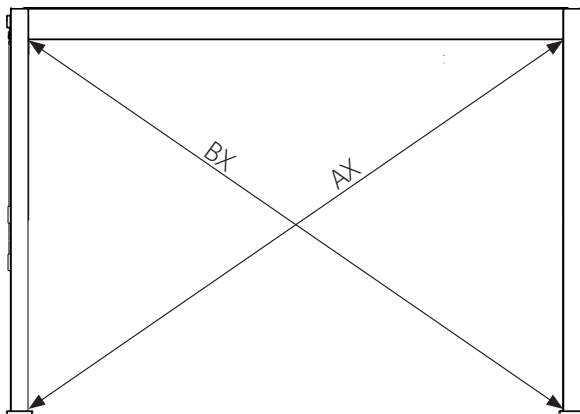
Before installation, please make sure the dimension should be correct as the diagram shows below, namely, $A1=A2=A3$ and $AX=BX$. Please do not install the wind screen if the dimension is incorrect. Please adjust the finished size before installing.



Please choose which face to install the wind screen.



$$A1=A2=A3$$



$$AX=BX$$



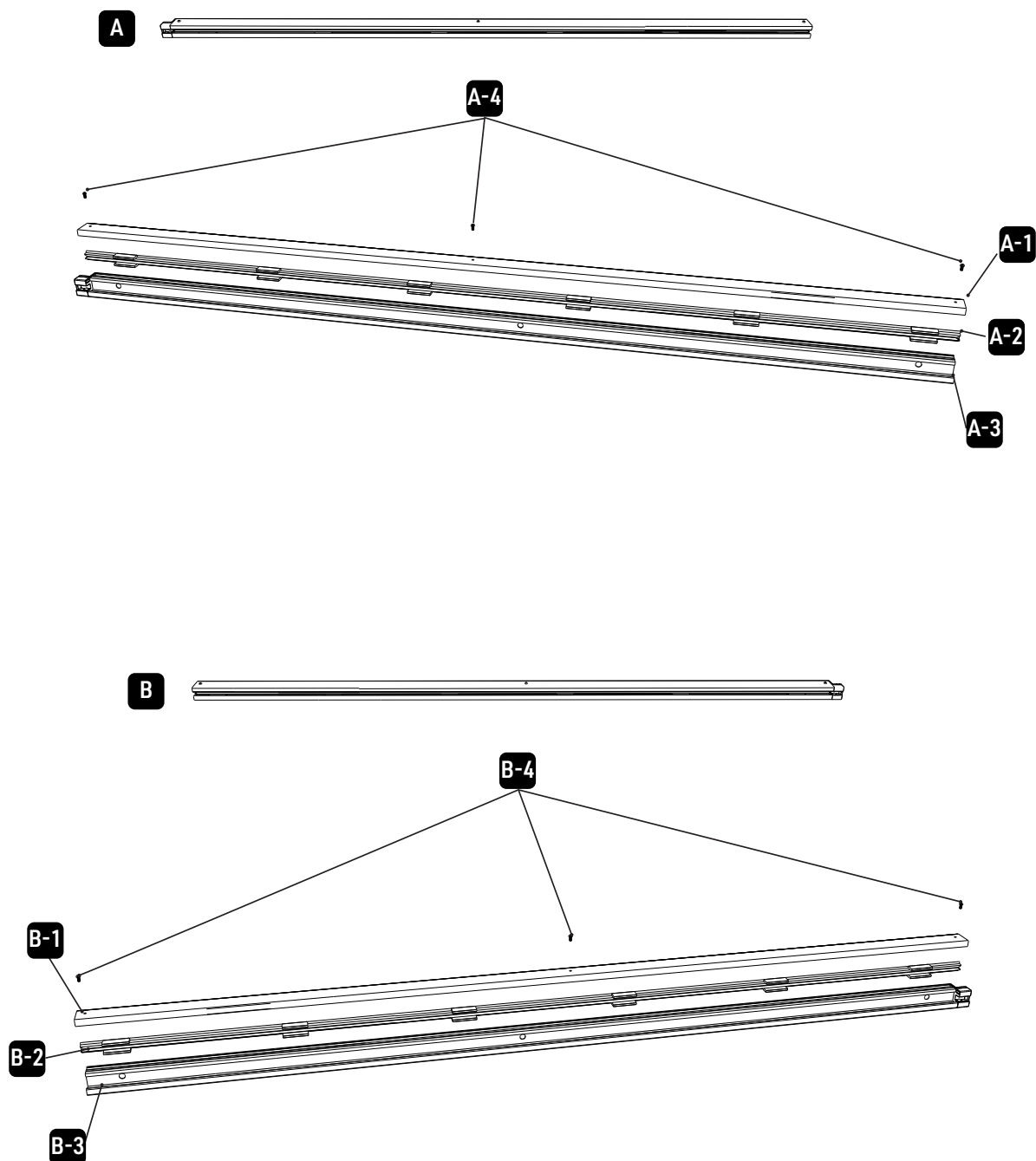
Sharing the
sun together

Nice to meet you

Step 2

Disassemble the post A and B as shown above.

montage instructies
montageanleitung
instructions de montage
instrucciones de montaje



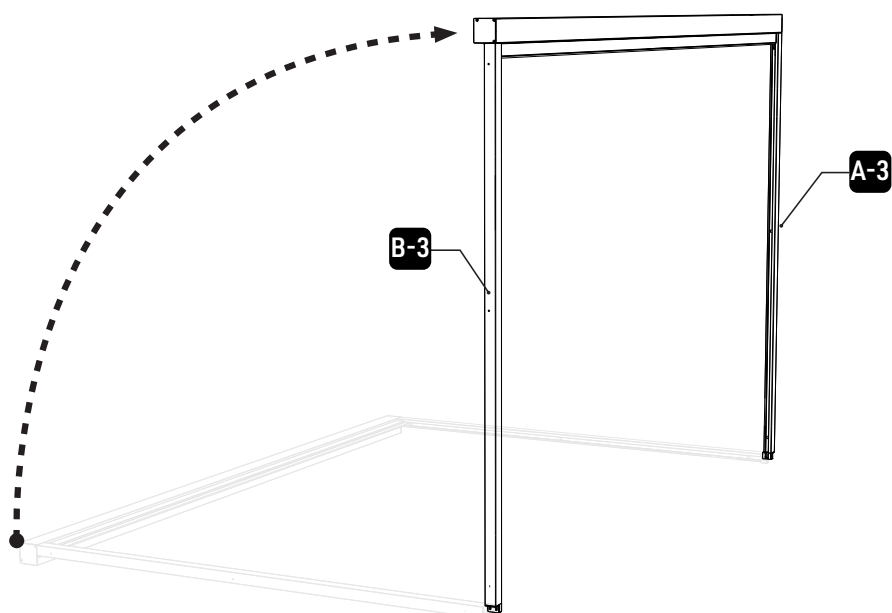
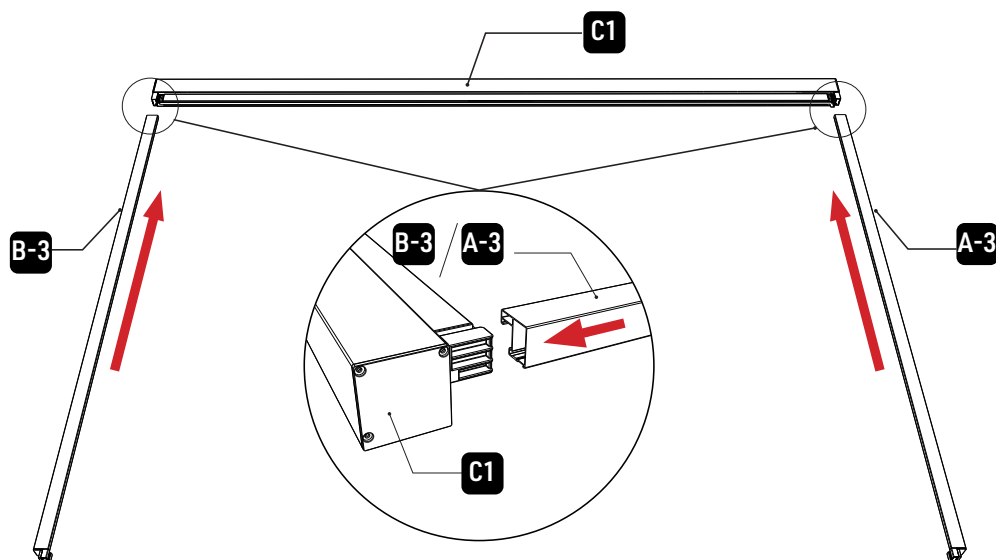
Sharing the
sun together

Nice to meet you

Step 3

Insert A-3/B-3 into the side panel of wind screen box (C1).

montage instructies
montageanleitung
instructions de montage
instrucciones de montaje



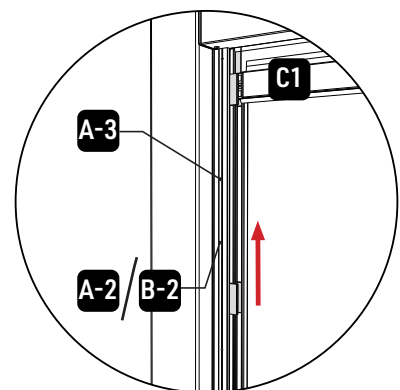
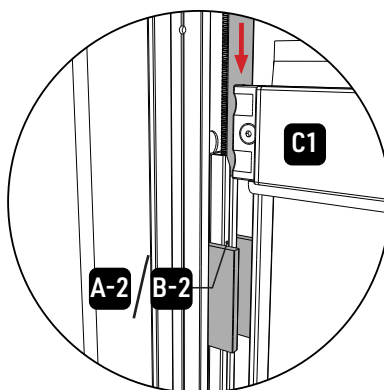
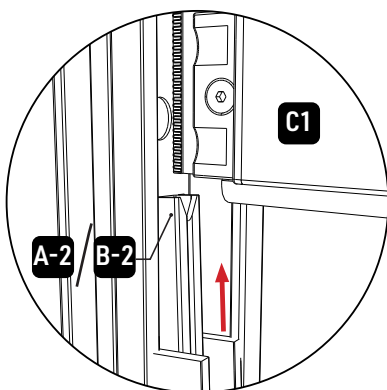
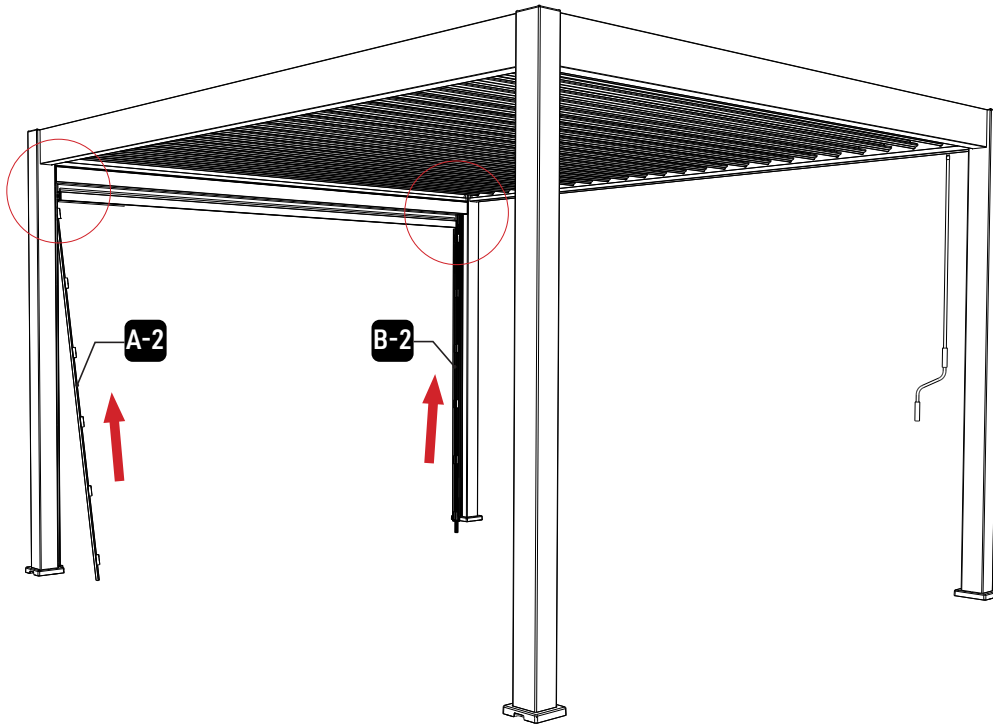
Sharing the
sun together

Nice to meet you

Step 5

- Insert A-2 diagonally into the channel of A-3.
- Make sure the notch of A-2 meet to side zipper along the screen.
- Place A-2 vertically into the channel of A-3.
- Repeat the same process in the other side.

montage instructies
montageanleitung
instructions de montage
instrucciones de montaje



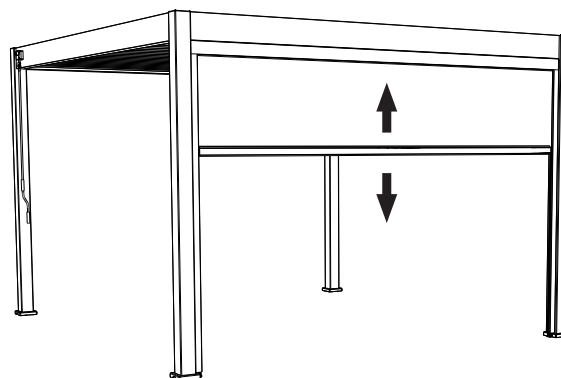
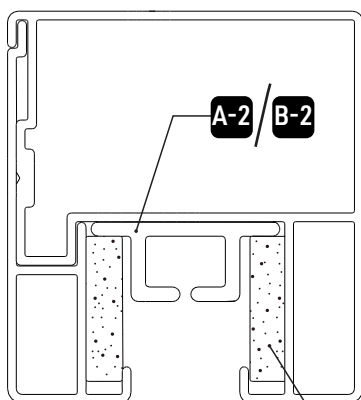
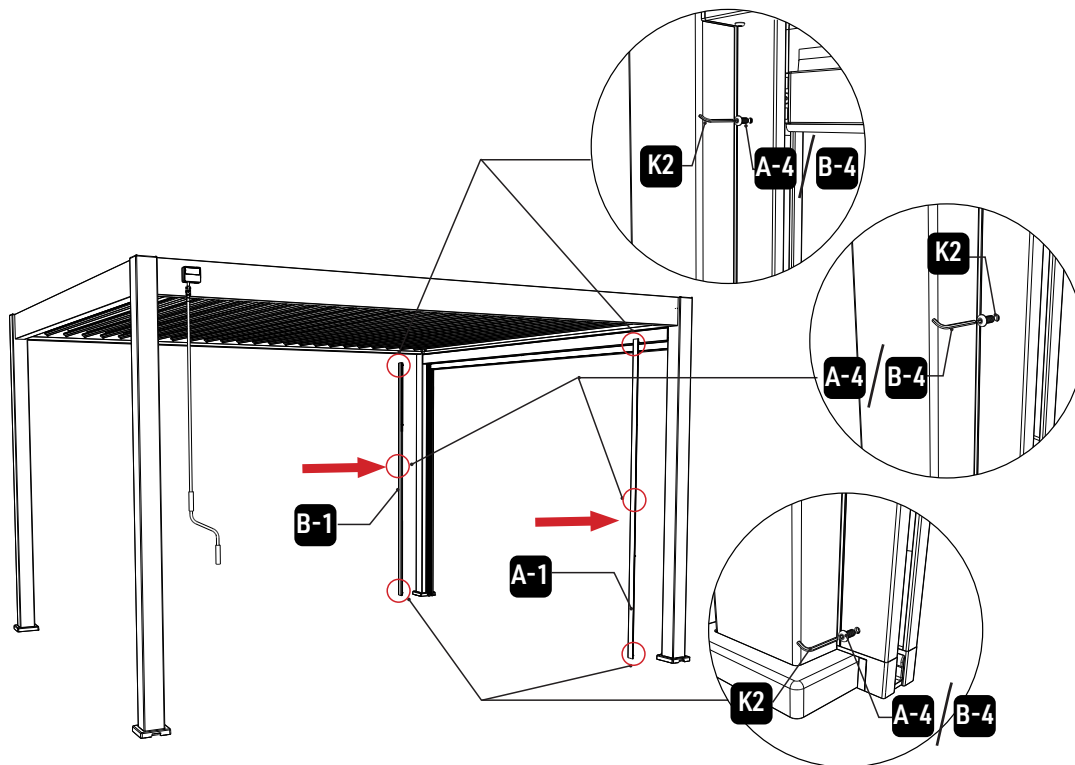
Sharing the
sun together

Nice to meet you

Step 6

- Insert post cover (A-1/B-1) to the post
- Settle sponge block into right position (see below)
- Fix screw slightly (not to tight)
- Test the screen up and down
- Fix all screws when you confirm screen is running well.

montage instructies
montageanleitung
instructions de montage
instrucciones de montaje



Please make sure the foam strip on the sides of A-2/B-2 can be inserted into the U groove of the wind screen's frame.



Sharing the
sun together



Sharing the
sun together